

REV	DESCRIPTION OF REVISION	ECN No.	BY	DATE	APPROVED
A	INITIAL RELEASE	—	H. Xiao	07/19/10	07/19/10

## TECHNICAL DATA

### Electrical data

Impedance	50 Ω
Frequency range	0~40 GHz
VSWR	1.15:1
Contact resistance	
-centre contact	≤3mΩ
-outer contact	≤2mΩ
Insulation resistance	≥3000MΩ

### Mechanical data

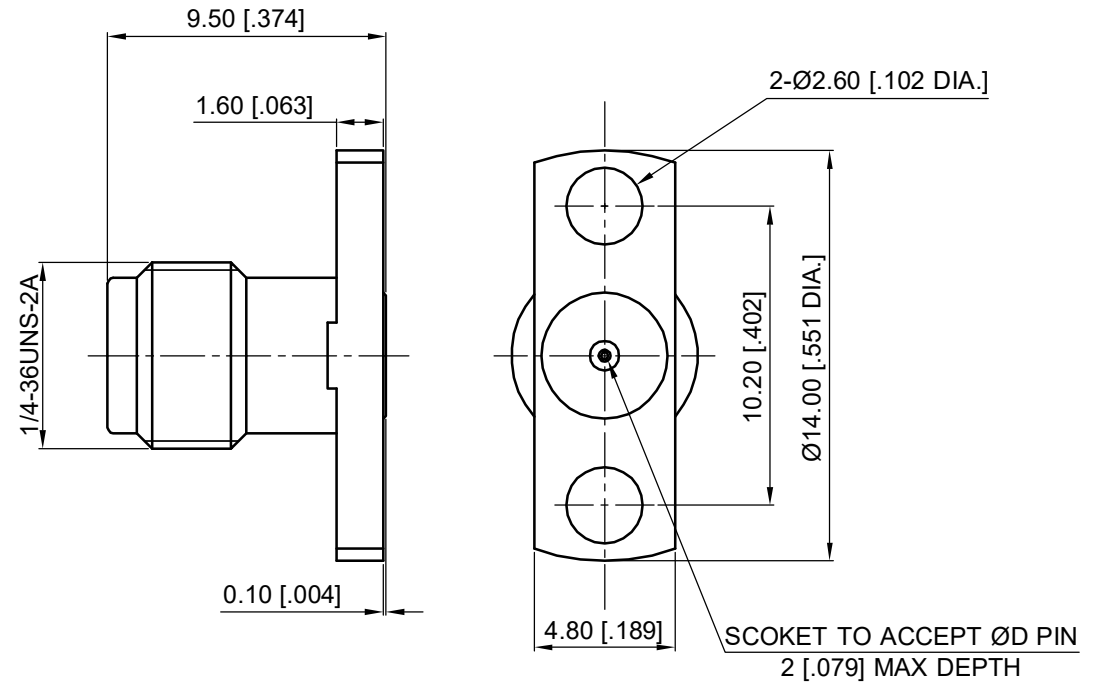
Temperature range	-55 °C ~ +165 °C
Durability (matings)	>500

### Material data

Body	Stainless Steel (SU303), Passivated
Pin Contact	Beryllium Copper Alloy, Gold-plated
Insulator	PEI, PTFE

### Interface Standards



2.92mm	MIL-STD-348A
--------	--------------



Part Number	ØD PIN
96-02-9E5-004 A	0.23 [.009]
96-02-9E5-004 B	0.30 [.012]
96-02-9E5-004 C	0.38 [.015]
96-02-9E5-004 D	0.51 [.020]

#### NOTES:

- ALL SPECIFICATIONS ARE SUBJECT TO CHANGE WITHOUT NOTICE AT ANY TIME
- CUSTOMER OUTLINE DRAWING FOR REFERENCE ONLY

DRAWN: H. Xiao 07/19/10	TITLE:	 <a href="http://www.cmppter.com">www.cmppter.com</a>			
ENGINEER: YF. Zhu 07/19/10	2.92mm Straight Female, 2 Hole Flange				
APPROVED: M. Dong 07/19/10		 DIMENSIONS IN MILLIMETERS (mm)			
TOLERANCE UNLESS OTHERWISE SPECIFIED	PART No.: 96-02-9E5-004				
X ±0.50 [.019"]					
.X ±0.20 [.008"]					
.XX ±0.10 [.004"]					
ANGLES ±1°					