

REV	DESCRIPTION OF REVISION	ECN No.	BY	DATE	APPROVED
A	INITIAL RELEASE	—	H. Xiao	07/18/10	07/18/10

TECHNICAL DATA

Electrical data

Impedance	50 Ω
Frequency range	0~40 GHz
VSWR	1.15:1
Contact resistance	
-centre contact	≤3mΩ
-outer contact	≤2mΩ
Insulation resistance	≥3000MΩ

Mechanical data

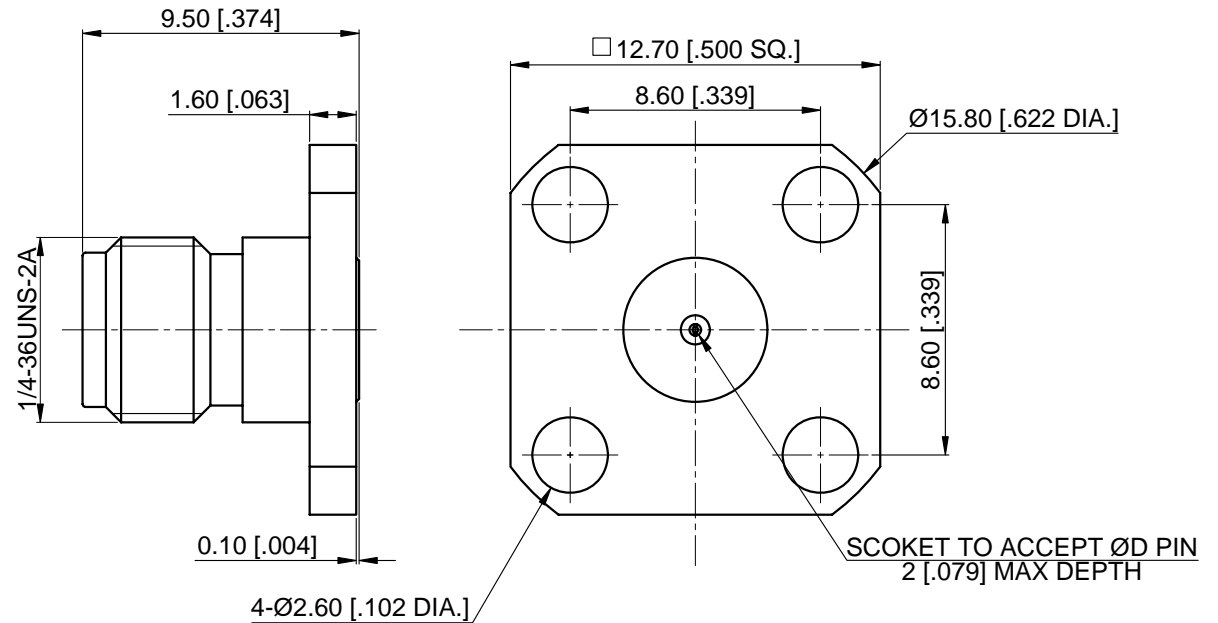
Temperature range	-55 °C ~ +165 °C
Durability (matings)	>500

Material data

Body	Stainless Steel (SU303), Passivated
Pin Contact	Beryllium Copper Alloy, Gold-plated
Insulator	PEI, PTFE

Interface Standards


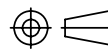
2.92mm	MIL-STD-348A
--------	--------------



Part Number	ØD PIN
96-02-9F5-001A	0.23 [0.009]
96-02-9F5-001B	0.30 [0.012]
96-02-9F5-001C	0.38 [0.015]
96-02-9F5-001D	0.51 [0.020]

NOTES:

- ALL SPECIFICATIONS ARE SUBJECT TO CHANGE WITHOUT NOTICE AT ANY TIME
- CUSTOMER OUTLINE DRAWING FOR REFERENCE ONLY

DRAWN: H. Xiao 07/18/10	TITLE: 2.92mm Straight Female, 4 Hole Flange	 www.cmppter.com			
ENGINEER: YF. Zhu 07/18/10					
APPROVED: M. Dong 07/18/10		 DIMENSIONS IN MILLIMETERS (mm)			
TOLERANCE UNLESS OTHERWISE SPECIFIED	PART No.: 96-02-9F5-001	SIZE: A4	SCALE: 4:1	SHEET: 1/1	REV: A

X	±0.50	[.019"]
.X	±0.20	[.008"]
.XX	±0.10	[.004"]
ANGLES	±1°	