

### TECHNICAL DATA

#### Electrical

Impedance 50 Ω  
 Frequency range 0~40 GHz

#### Mechanical & Environmental

Durability (matings) >500  
 Temperature range -55 °C ~ +125 °C  
 RoHS Compliant Yes

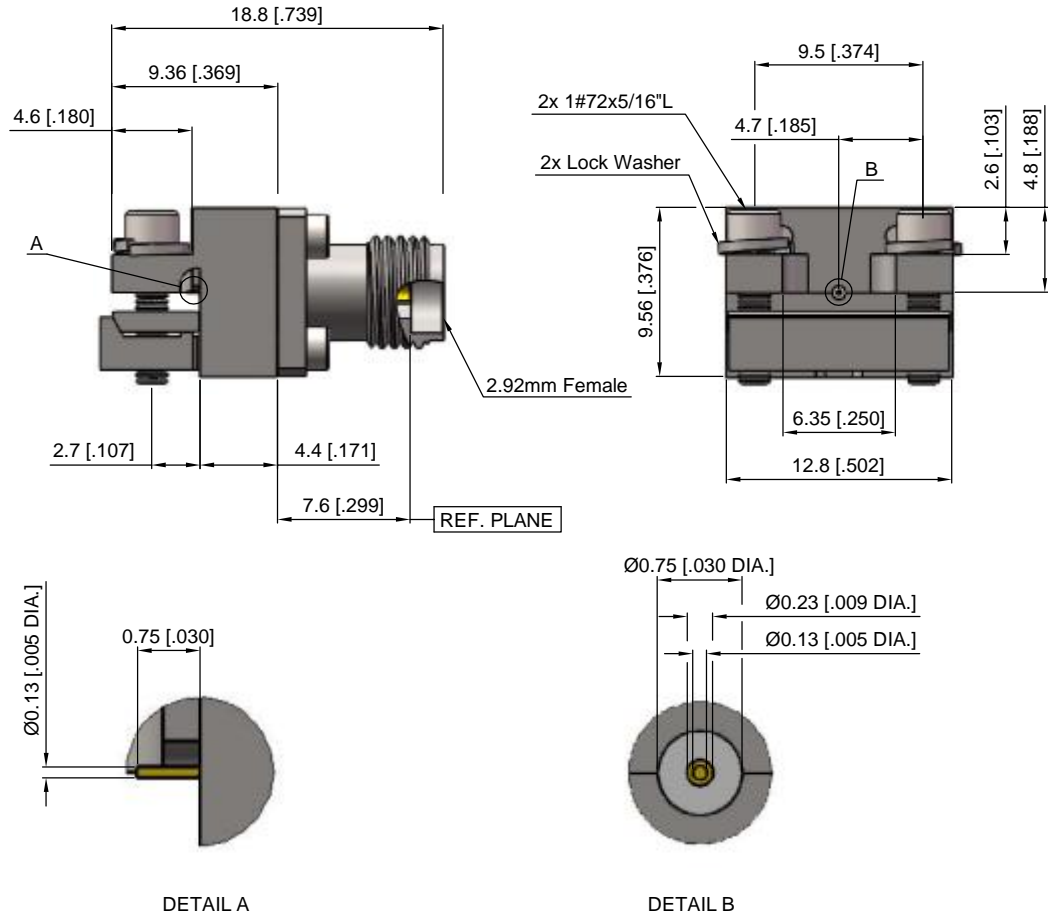
#### Material & Finish

Body Stainless Steel (SU303), Passivated  
 Pin Contact Beryllium Copper Alloy, Gold-plated  
 Insulator PTFE & PEI

#### Interface Standards

2.92mm MIL-STD-348A

REVISIONS				
REV	DESCRIPTION OF REVISION	ECN No.	DATE	APPROVED
A	INITIAL RELEASE	—	03/14/2020	M. Dong



UNLESS OTHERWISE SPECIFIED, DIMENSIONS ARE IN MILLIMETERS [INCHES].  
 UNLESS OTHERWISE SPECIFIED DIMENSIONAL TOLERANCES ARE:

.XX	±0.13 [.005"]
X	±0.20 [.008"]
X	±0.50 [.019"]

ANGULAR TOLERANCES ARE: ALL= ±1°

DO NOT SCALE DRAWING

PROJECTION:

DRAWN:	L. Ma	03/14/2020
CHECKED:	J. Zhu	03/14/2020
APPROVED:	M. Dong	03/14/2020
TITLE:	2.92mm Female End Launch Connector	

**CMPPTER**®  
 Cmppter Electronics Co., Ltd. [www.cmppter.com](http://www.cmppter.com)

PART No.: **EL-2.92F-006**

SIZE: A4	SCALE: 4:1	SHEET: 1/1	REV: A
----------	------------	------------	--------

NOTES:  
 1. ALL SPECIFICATIONS ARE SUBJECT TO CHANGE WITHOUT NOTICE AT ANY TIME  
 2. UNLESS OTHERWISE SPECIFIED ALL DIMENSIONS ARE NOMINAL.