

TECHNICAL DATA

Electrical

Impedance	50 Ω
Frequency range	0~18 GHz
VSWR	≤1.30
Withstanding voltage	500 V
Insulation resistance	≥5x10 ³ MΩ

Mechanical & Environmental

Durability (matings)	>500
Temperature range	-55 °C ~ +155 °C
RoHS Compliant	Yes

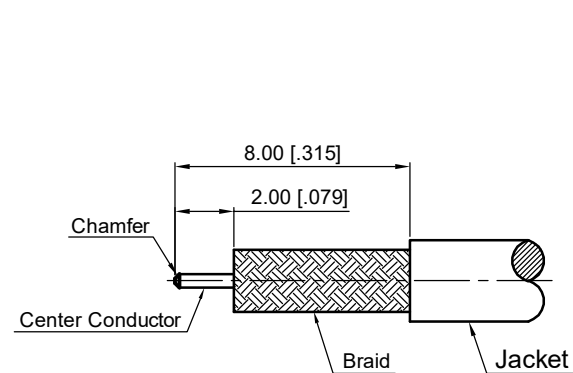
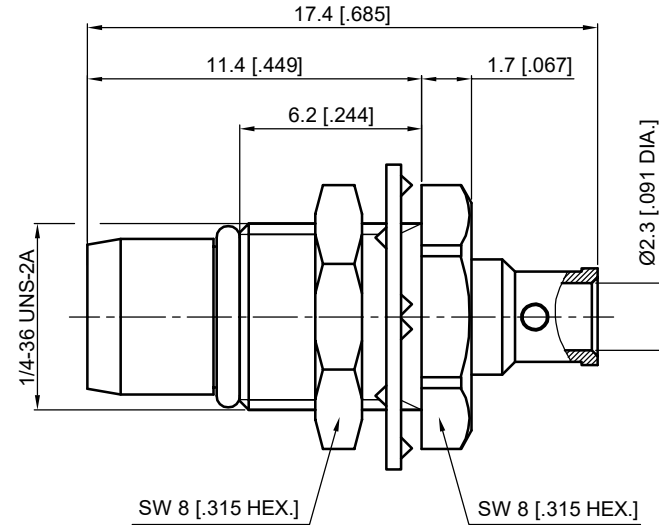
Material & Finish

Body	Brass, Gold plated
Pin Contact	Brass, Gold plated
O-Ring	Silicone Rubber
Insulator	PTFE

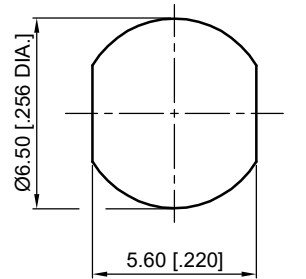
Interface Standards

BMA	MIL-STD-348A
-----	--------------

REVISIONS				
REV	DESCRIPTION OF REVISION	ECN No.	DATE	APPROVED
A	INITIAL RELEASE	—	02/07/2025	M. Dong



Recommended CABLE STRIPPING DIMENSIONS



Recommended Mounting Hole

NOTES:

- ALL SPECIFICATIONS ARE SUBJECT TO CHANGE WITHOUT NOTICE AT ANY TIME
- UNLESS OTHERWISE SPECIFIED ALL DIMENSIONS ARE NOMINAL.

UNLESS OTHERWISE SPECIFIED, DIMENSIONS ARE IN MILLIMETERS [INCHES]. UNLESS OTHERWISE SPECIFIED DIMENSIONAL TOLERANCES ARE: .XX ±0.13 [.005"] .X ±0.20 [.008"] X ±0.50 [.019"]	DRAWN: L. Ma 02/07/2025
ANGULAR TOLERANCES ARE: ALL=±1°	CHECKED: J. Zhu 02/07/2025
DO NOT SCALE DRAWING	APPROVED: M. Dong 02/07/2025
PROJECTION:	TITLE: BMA Straight Bulkhead Male Solder for RG405/ .086 Cable

DRAWN: L. Ma 02/07/2025		
CHECKED: J. Zhu 02/07/2025		
APPROVED: M. Dong 02/07/2025		
TITLE: BMA Straight Bulkhead Male Solder for RG405/ .086 Cable		

CMPPTER®
Cmptter Electronics Co., Ltd. www.cmptter.com

PART No.: **68-03-2B11-019**

SIZE: A4	SCALE: 4:1	SHEET: 1/1	REV: A
----------	------------	------------	--------