

REVISIONS

REV	DESCRIPTION OF REVISION	ECN No.	DATE	APPROVED
A	INITIAL RELEASE		08/15/2014	M. Dong

TECHNICAL DATA

Electrical

Impedance 50 Ω
 Frequency range 0~3 GHz
 Withstanding voltage 1000 V
 Insulation resistance ≥5000MΩ

Mechanical & Environmental

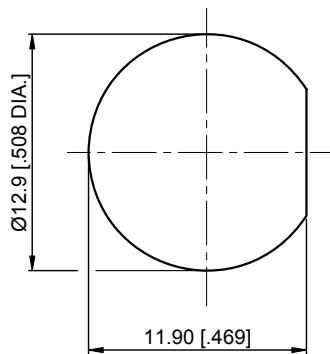
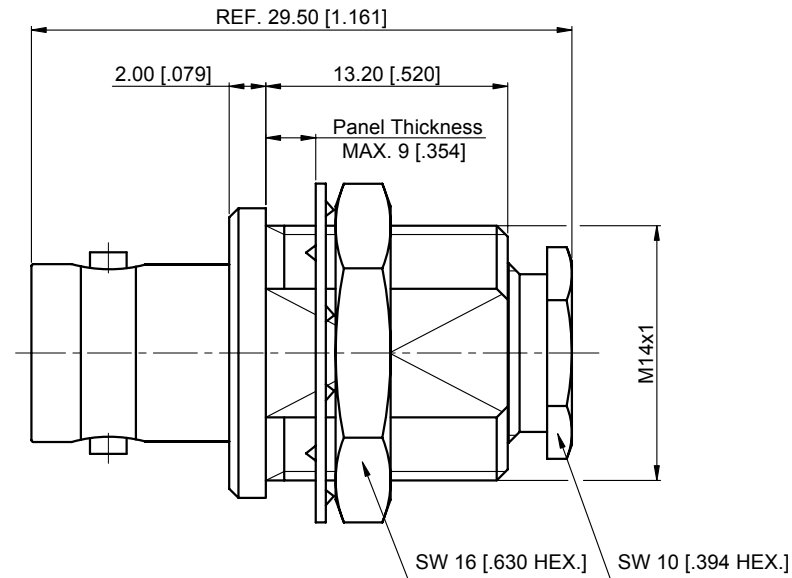
Durability (matings) >500
 Temperature range -55 °C ~ +165 °C
 RoHS Compliant Yes

Material & Finish

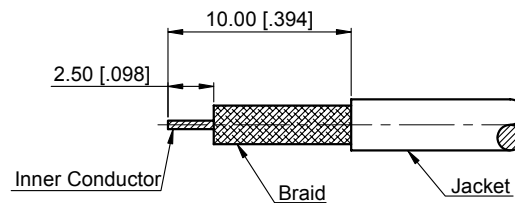
Body Brass, Nickel-plated
 Pin Contact Phosphor Bronze, Gold-plated
 Fastening Nut Brass, Nickel-plated
 Washer Phosphor Bronze, Nickel-plated
 Insulator PTFE

Interface Standards

BNC IEC-60169



Recommended Mounting Hole



CABLE STRIPPING DIMENSIONS

UNLESS OTHERWISE SPECIFIED, DIMENSIONS ARE IN MILLIMETERS [INCHES].
 UNLESS OTHERWISE SPECIFIED DIMENSIONAL TOLERANCES ARE:

.XX ±0.13 [.005"]
 X ±0.20 [.008"]
 X ±0.50 [.019"]

ANGULAR TOLERANCES ARE: ALL ±1°

DO NOT SCALE DRAWING

PROJECTION:

DRAWN:	L. Ma	08/15/2014
CHECKED:	J. Zhu	08/15/2014
APPROVED:	M. Dong	08/15/2014

TITLE:
BNC Straight Bulkhead Female Crimp for LMR100/RG174/RG316 Cable



Cmptter Electronics Co., Ltd. www.cmptter.com

PART No.:
10-02-4A00-068

SIZE: A4	SCALE: 2.5:1	SHEET: 1/1	REV: A
-------------	-----------------	---------------	-----------

- NOTES:
- ALL SPECIFICATIONS ARE SUBJECT TO CHANGE WITHOUT NOTICE AT ANY TIME
 - UNLESS OTHERWISE SPECIFIED ALL DIMENSIONS ARE NOMINAL.