

TECHNICAL DATA

Electrical

Impedance 75 Ω
 Withstanding voltage 1000 V
 Insulation resistance $\geq 5 \times 10^3 \text{ M}\Omega$

Mechanical & Environmental

Durability (matings) >500
 Temperature range -55 °C ~ +165 °C
 RoHS Compliant Yes

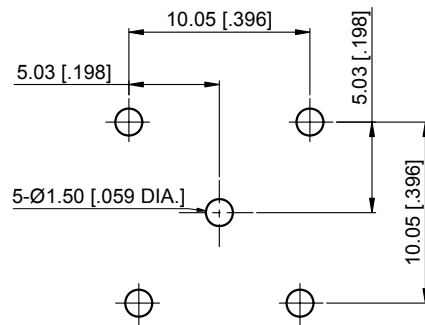
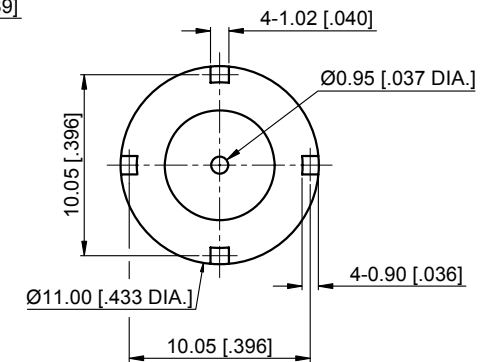
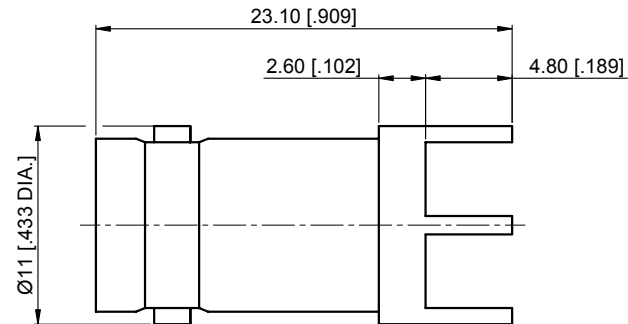
Material & Finish

Body Brass, Nickel-plated
 Pin Contact Phosphor Bronze, Gold-plated
 Insulator PTFE

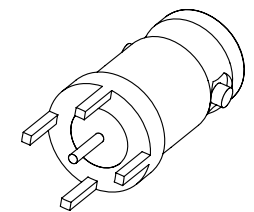
Interface Standards

BNC IEC-60169

REVISIONS				
REV	DESCRIPTION OF REVISION	ECN No.	DATE	APPROVED
A	INITIAL RELEASE	---	12/24/2013	M. Dong
B	ADD DIMENSIONS	---	01/09/2014	M. Dong



Recommended Mounting Hole



UNLESS OTHERWISE SPECIFIED, DIMENSIONS ARE IN MILLIMETERS (INCHES).
 UNLESS OTHERWISE SPECIFIED DIMENSIONAL TOLERANCES ARE:
 .XX ±0.13 [.005"]
 .X ±0.20 [.008"]
 X ±0.50 [.019"]
 ANGULAR TOLERANCES ARE: ALL±1°

DO NOT SCALE DRAWING

PROJECTION:

DRAWN: L. Ma 01/09/2014
 CHECKED: J. Zhu 01/09/2014
 APPROVED: M. Dong 01/09/2014

TITLE:
75 Ohm BNC Straight Female, PCB Mount

CMPPTER[®]
 Cmppter Electronics Co., Ltd. www.cmppter.com

PART No.:
10-02-5M2-056

SIZE: A4 SCALE: 2.5:1 SHEET: 1/1 REV: B

- NOTES:
- ALL SPECIFICATIONS ARE SUBJECT TO CHANGE WITHOUT NOTICE AT ANY TIME
 - UNLESS OTHERWISE SPECIFIED ALL DIMENSIONS ARE NOMINAL.