

REV	DESCRIPTION OF REVISION	ECN No.	BY	DATE	APPROVED
A	INITIAL RELEASE	---	L. Ma	03/26/07	M. Dong
B	DIMENSIONS CHANGED	---	L. Ma	03/26/07	M. Dong
C	MILLING EDGE DIRECTION CHANGED	---	H. Xiao	10/20/16	M. Dong

TECHNICAL DATA

Electrical data

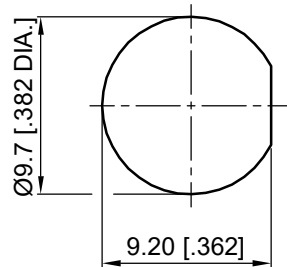
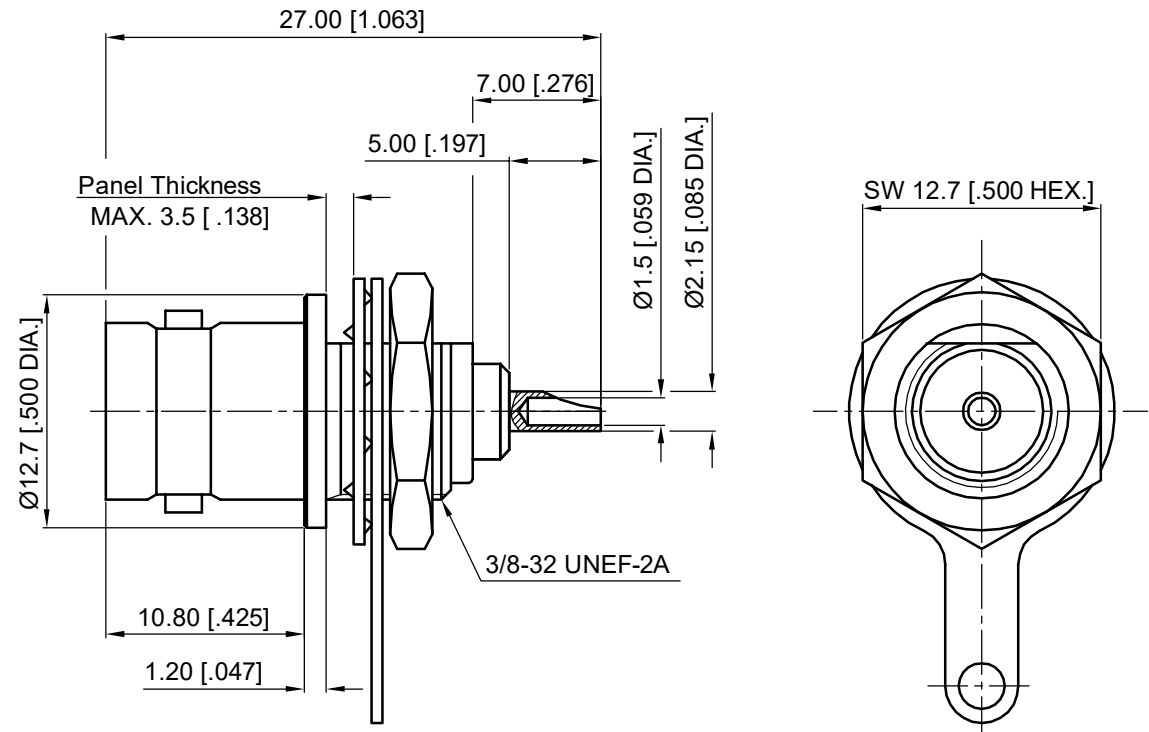
Impedance	50 Ω
Frequency range	0~4 GHz
Insulation resistance	≥5x10 ³ MΩ
Withstanding voltage	500 V

Mechanical data

Temperature range	-65 °C ~ +165 °C
Durability (matings)	>500

Material data


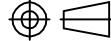
Bodies	Brass, Nickel-plated
Pin Contact	Phosphor Bronze, Gold-plated
Insulator	PTFE



Recommended Mounting Hole

NOTES:

- ALL SPECIFICATIONS ARE SUBJECT TO CHANGE WITHOUT NOTICE AT ANY TIME
- CUSTOMER OUTLINE DRAWING FOR REFERENCE ONLY

DRAWN: H. Xiao 10/20/16	TITLE:	 www.cmppter.com			
ENGINEER: J. Zhu 10/20/16	BNC Straight Bulkhead Female, Receptacle with Solder End				
APPROVED: M. Dong 10/20/16		 DIMENSIONS IN MILLIMETERS (mm)			
TOLERANCE UNLESS OTHERWISE SPECIFIED	PART No.: 10-02-8A1-027				SIZE: A4
X ±0.50 [.019"] .X ±0.20 [.008"] .XX ±0.10 [.004"] ANGLES ±1°					