

# TECHNICAL DATA

## Electrical

Impedance 50 Ω  
 Frequency range 0~1 GHz  
 Withstanding voltage 1000 V  
 Insulation resistance ≥5000MΩ

## Mechanical & Environmental

Durability (matings) >500  
 Temperature range -55 °C ~ +165 °C  
 RoHS Compliant Yes

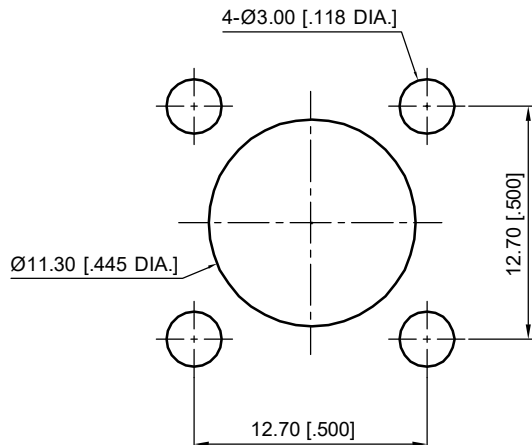
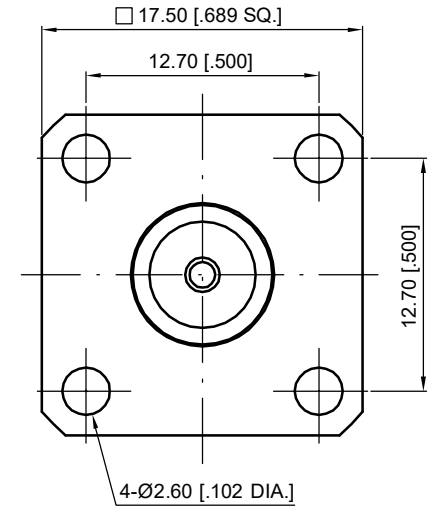
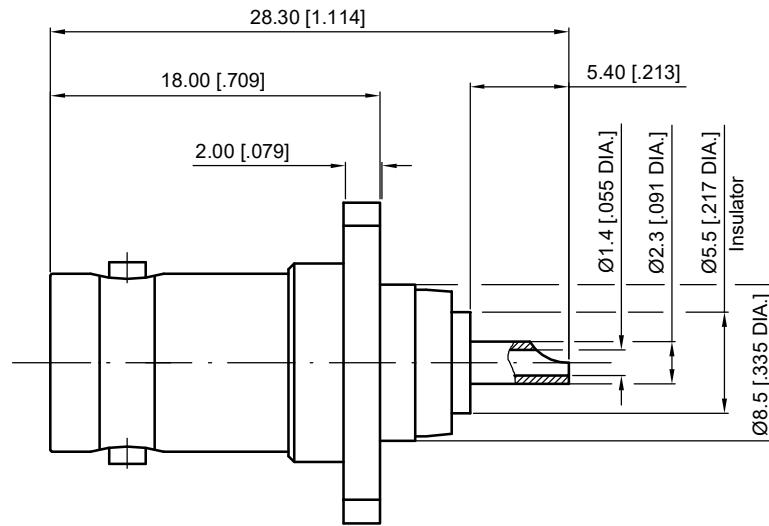
## Material & Finish

Body Brass, Nickel-plated  
 Pin Contact Phosphor Bronze, Gold-plated  
 Insulator PTFE

## Interface Standards

BNC IEC-60169

REVISIONS				
REV	DESCRIPTION OF REVISION	ECN No.	DATE	APPROVED
A	INITIAL RELEASE	---	06/08/2007	M. Dong
B	DIMENSIONS CHANGED	---	10/16/2017	M. Dong
C	DIMENSIONS CHANGED	---	05/30/2018	M. Dong



Recommended Mounting Hole

### NOTES:

- ALL SPECIFICATIONS ARE SUBJECT TO CHANGE WITHOUT NOTICE AT ANY TIME
- UNLESS OTHERWISE SPECIFIED ALL DIMENSIONS ARE NOMINAL.

UNLESS OTHERWISE SPECIFIED, DIMENSIONS ARE IN MILLIMETERS [INCHES].  
 UNLESS OTHERWISE SPECIFIED DIMENSIONAL TOLERANCES ARE:

.XX ±0.13 [.005"]  
 .X ±0.20 [.008"]  
 X ±0.50 [.019"]

ANGULAR TOLERANCES ARE: ALL= ±1°

DO NOT SCALE DRAWING

PROJECTION:



DRAWN:	L. Ma	10/16/2017
CHECKED:	J. Zhu	10/16/2017
APPROVED:	M. Dong	10/16/2017

TITLE:  
**BNC Straight Female, 4 Hole  
 Flange, Receptacle with Solder  
 Cup**



Cmptter Electronics Co., Ltd. [www.cmptter.com](http://www.cmptter.com)

PART No.:  
**10-02-8F1-044**

SIZE: A4	SCALE: 2.5:1	SHEET: 1/1	REV: C
-------------	-----------------	---------------	-----------