

REVISIONS

REV	DESCRIPTION OF REVISION	ECN No.	DATE	APPROVED
A	INITIAL RELEASE	—	03/16/2018	M. Dong

TECHNICAL DATA

Electrical

Impedance	50 Ω
Frequency range	0~ 3 GHz
Withstanding voltage	1000 V
Insulation resistance	≥5000MΩ

Mechanical & Environmental

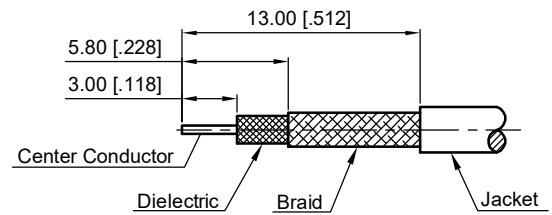
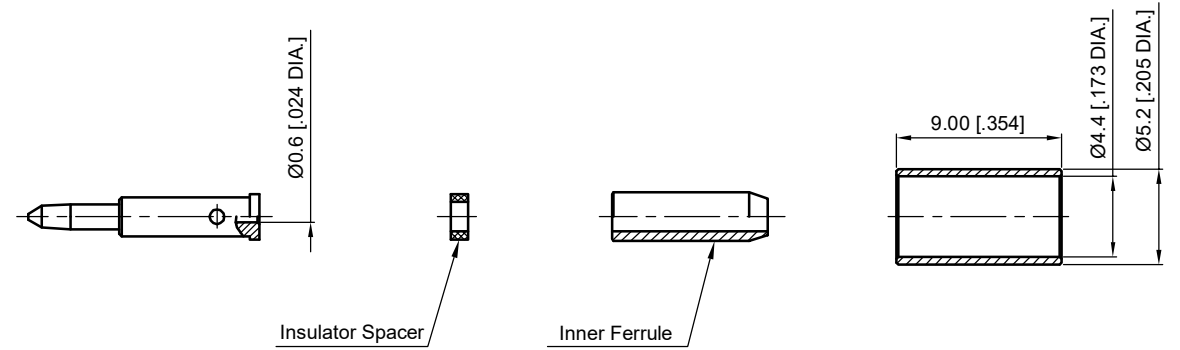
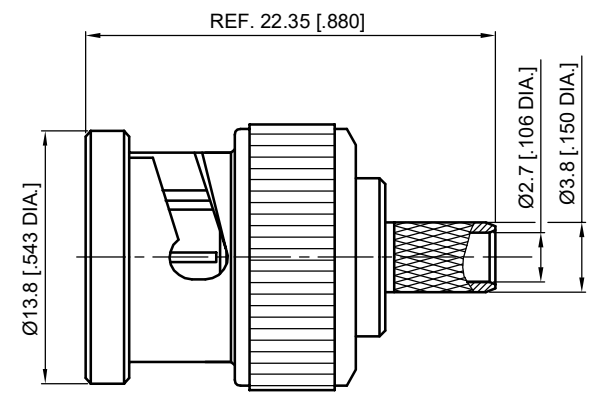
Durability (matings)	>500
Temperature range	-55 °C ~ +165 °C
RoHS Compliant	Yes

Material & Finish

Body	Brass, Nickel-plated
Pin Contact	Brass, Gold-plated
Coupling Nut	Brass, Nickel-plated
Ferrule	Copper, Nickel-plated
Insulator	PTFE
Gasket	Silicone Rubber

Interface Standards

BNC	IEC-60169
-----	-----------



Cable Stripping Dimensions

1.CRIMP FERRULE
HEX. CRIMP TOOL SIZE : 4.52 [.178]

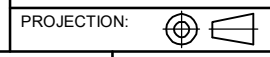
- NOTES:
- ALL SPECIFICATIONS ARE SUBJECT TO CHANGE WITHOUT NOTICE AT ANY TIME
 - UNLESS OTHERWISE SPECIFIED ALL DIMENSIONS ARE NOMINAL.

UNLESS OTHERWISE SPECIFIED, DIMENSIONS ARE IN MILLIMETERS [INCHES].
UNLESS OTHERWISE SPECIFIED DIMENSIONAL TOLERANCES ARE:

.XX	±0.13 [0.005"]
.X	±0.20 [0.008"]
X	±0.50 [0.019"]

ANGULAR TOLERANCES ARE: ALL= ±1°

DO NOT SCALE DRAWING



DRAWN:	L. Ma	03/16/2018
CHECKED:	J. Zhu	03/16/2018
APPROVED:	M. Dong	03/16/2018

TITLE:
BNC Straight Male Crimp for RG174/RG316/LMR100 Cable



Cmppter Electronics Co., Ltd. www.cmppter.com

PART No.:
10-03-1M00-081

SIZE: A4	SCALE: 2.5:1	SHEET: 1/1	REV: A
-------------	-----------------	---------------	-----------