

REV	DESCRIPTION OF REVISION	ECN No.	BY	DATE	APPROVED
A	INITIAL RELEASE	—	H. Xiao	10/10/06	M. Dong

TECHNICAL DATA

Electrical data

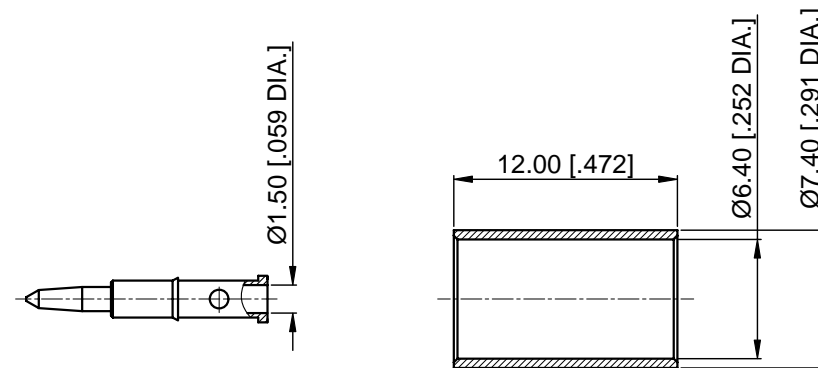
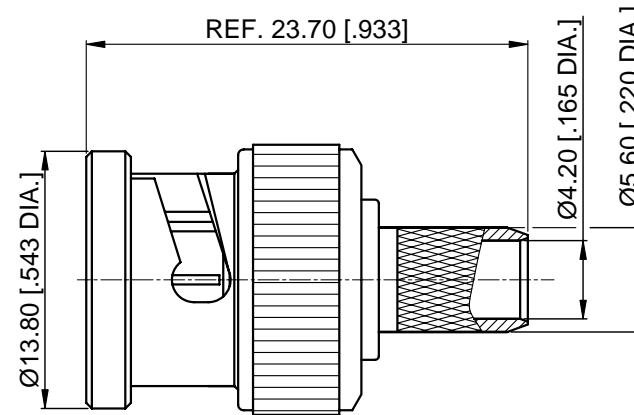
Impedance	50 Ω
Frequency range	0~4 GHz
Insulation resistance	≥5x10 ³ MΩ
Withstanding voltage	1000 V

Mechanical data

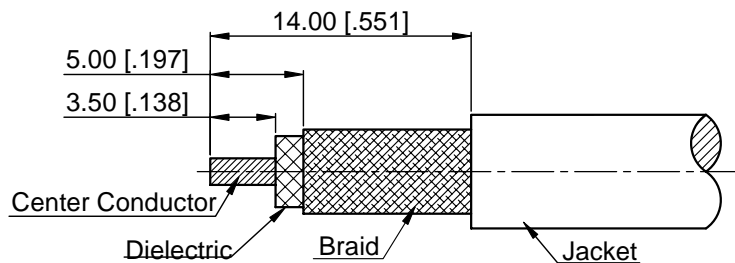
Temperature range	-65 °C ~ +165 °C
Durability (matings)	>500

Material data

Bodies	Brass, Nickel-plated
Pin Contact	Brass, Nickel-plated
Coupling Nut	Brass, Nickel-plated
Insulator	PTFE
Gasket	Silicone Rubber




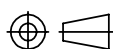
- 1.CRIMP FERRULE
HEX. CRIMP TOOL SIZE : 6.48 [.255]
- 2.CRIMP PIN CONTACT
HEX. CRIMP TOOL SIZE : 1.73 [.068]



Recommended Cable Stripping Dimensions

NOTES:

1. ALL SPECIFICATIONS ARE SUBJECT TO CHANGE WITHOUT NOTICE AT ANY TIME
2. CUSTOMER OUTLINE DRAWING FOR REFERENCE ONLY

DRAWN: H. Xiao 10/10/06	TITLE:	 www.cmppter.com
ENGINEER: J. Zhu 10/10/06	BNC Straight Male Crimp for LMR240 Cable	
APPROVED: M. Dong 10/10/06		 DIMENSIONS IN MILLIMETERS (mm)
TOLERANCE UNLESS OTHERWISE SPECIFIED	PART No.: 10-03-1M10-005	

X	±0.50	[.019"]
.X	±0.20	[.008"]
.XX	±0.10	[.004"]
ANGLES	±1°	