

REV	DESCRIPTION OF REVISION	ECN No.	BY	DATE	APPROVED
A	INITIAL RELEASE	—	H. Xiao	08/23/06	M. Dong

TECHNICAL DATA

■ Electrical data

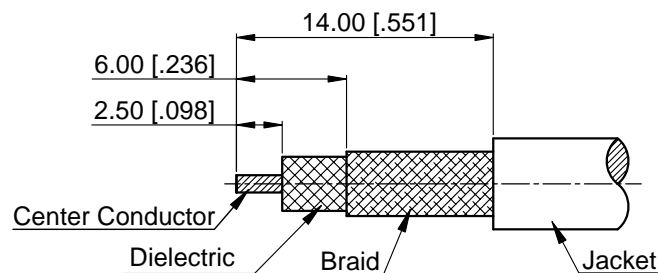
Impedance	50 Ω
Frequency range	0~3 GHz
Insulation resistance	≥5x10 ³ MΩ
Withstanding voltage	1000 V

■ Mechanical data

Temperature range	-65 °C ~ +165 °C
Durability (matings)	>500

■ Material data

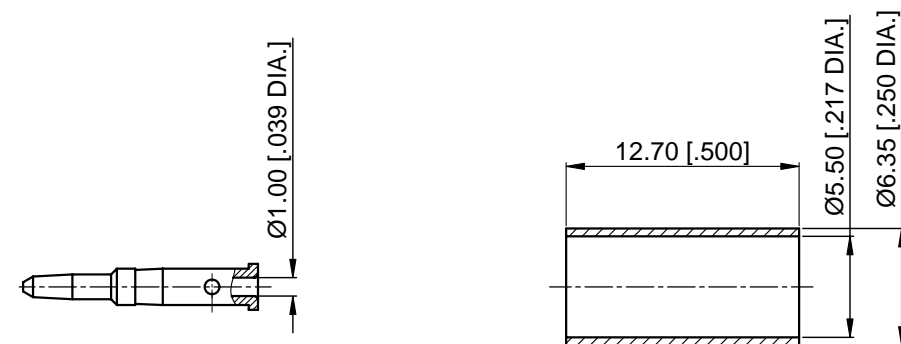
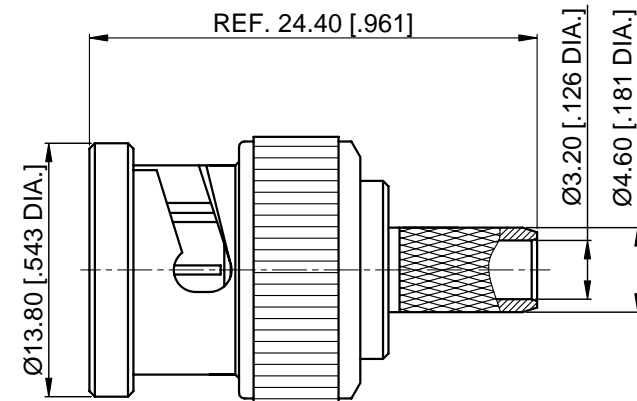
Bodies	Brass, Nickel-plated
Pin Contact	Brass, Gold-plated
Coupling Nut	Brass, Nickel-plated
Insulator	PTFE
Gasket	Silicone Rubber




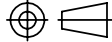
Cable Stripping Dimensions

NOTES:

- ALL SPECIFICATIONS ARE SUBJECT TO CHANGE WITHOUT NOTICE AT ANY TIME
- CUSTOMER OUTLINE DRAWING FOR REFERENCE ONLY



1.CRIMP FERRULE
HEX. CRIMP TOOL SIZE : 5.4 [.213]

DRAWN: L. Ma 08/23/06	TITLE:	 www.cmppter.com			
ENGINEER: J. Zhu 08/23/06	BNC Striaight Male Crimp for LMR195/RG58 Cable				
APPROVED: M. Dong 08/23/06		 DIMENSIONS IN MILLIMETERS (mm)			
TOLERANCE UNLESS OTHERWISE SPECIFIED	PART No.: 10-03-1M18-003				
X ±0.50 [.019"] .X ±0.20 [.008"] .XX ±0.10 [.004"] ANGLES ±1°	SIZE: A4	SCALE: 2.5:1	SHEET: 1/1	REV: A	