

REV	DESCRIPTION OF REVISION	ECN No.	BY	DATE	APPROVED
A	INITIAL RELEASE	—	H. Xiao	01/01/07	M. Dong
B	STRUCTURE CHANGED	—	L. Ma	03/15/10	M. Dong
C	PIN CONTACT FINISH CORRECTED	—	L. Ma	05/30/21	M. Dong

## TECHNICAL DATA

### Electrical data

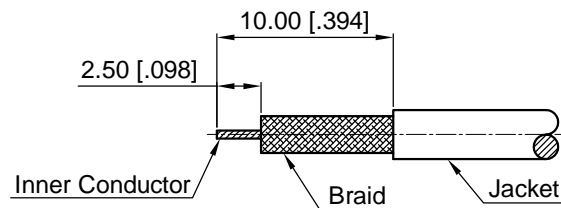
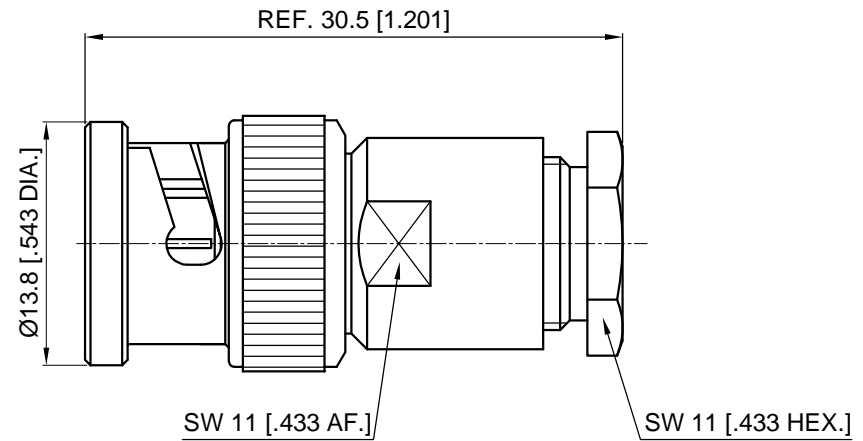
Impedance	50Ω
Frequency range	0~4 GHz
Insulation resistance	≥5x10 <sup>3</sup> MΩ
Withstanding voltage	1000 V

### Mechanical data

Temperature range	-65 °C ~ +165 °C
Durability (matings)	>500

### Material data


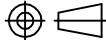
Bodies	Brass, Nickel-plated
Pin Contact	Brass, Gold-plated
Coupling Nut	Brass, Nickel-plated
Insulator	PTFE
Gasket	Silicone Rubber



CABLE STRIPPING DIMENSIONS

#### NOTES:

- ALL SPECIFICATIONS ARE SUBJECT TO CHANGE WITHOUT NOTICE AT ANY TIME
- CUSTOMER OUTLINE DRAWING FOR REFERENCE ONLY

DRAWN: L. Ma 05/30/21	TITLE:	 <a href="http://www.cmppter.com">www.cmppter.com</a>			
ENGINEER: J. Zhu 05/30/21	BNC Straight Male Clamp for LMR100/RG174/RG316 Cable				
APPROVED: M. Dong 05/30/21		 DIMENSIONS IN MILLIMETERS (mm)			
TOLERANCE UNLESS OTHERWISE SPECIFIED	PART No.: 10-03-4M00-011			SIZE: A4	SCALE: 2.5:1
X ±0.50 [.019"]					
.X ±0.20 [.008"]					
.XX ±0.10 [.004"]					
ANGLES ±1°					