

REV	DESCRIPTION OF REVISION	ECN No.	BY	DATE	APPROVED
A	INITIAL RELEASE	—	L. Ma	08/24/09	M. Dong
B	Part Number Changed	—	L. Ma	03/08/10	M. Dong

## TECHNICAL DATA

### Electrical data

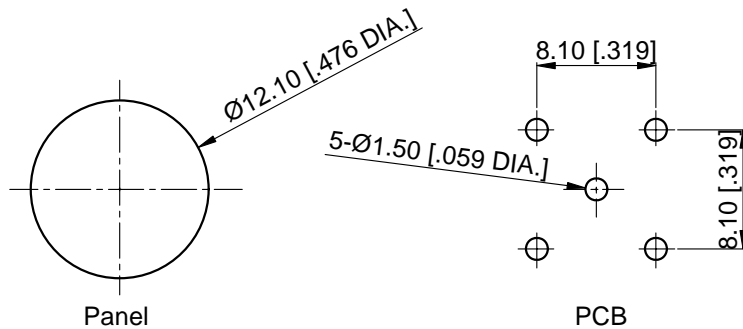
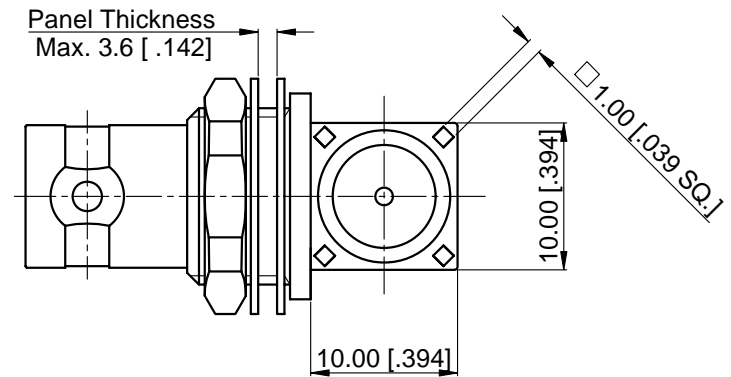
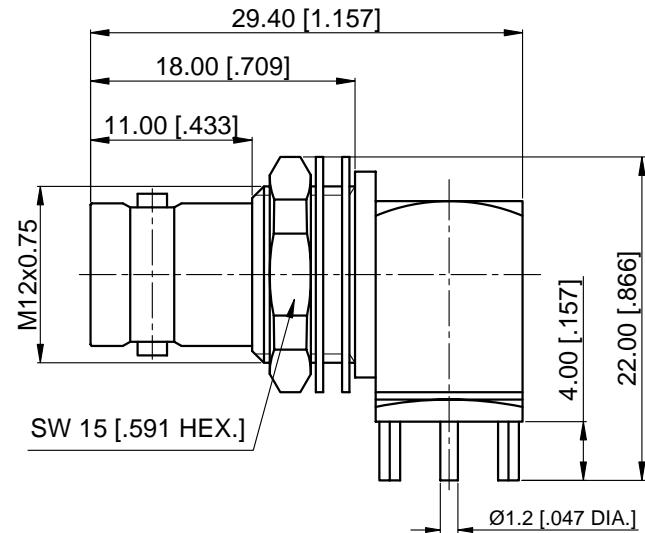
Impedance	50 Ω
Frequency range	0~3 GHz
Insulation resistance	≥5x10 <sup>3</sup> MΩ
Withstanding voltage	1500 V

### Mechanical data

Temperature range	-55 °C ~ +155 °C
Durability (matings)	>500

### Material data

Bodies	Brass, Nickel-plated
Pin Contact	Phosphor Bronze, Gold-plated
Insulator	PTFE



Recommended Mounting Hole

#### NOTES:

- ALL SPECIFICATIONS ARE SUBJECT TO CHANGE WITHOUT NOTICE AT ANY TIME
- CUSTOMER OUTLINE DRAWING FOR REFERENCE ONLY

DRAWN:	L. Ma 03/08/10
ENGINEER:	J. Zhu 03/08/10
APPROVED:	M. Dong 03/08/10
TOLERANCE UNLESS OTHERWISE SPECIFIED	
X	±0.50 [.019"]
.X	±0.20 [.008"]
.XX	±0.10 [.004"]
ANGLES	±1°

TITLE:

**BNC Right Angle Bulkhead  
Jack PCB Mount**

PART No.: 10-12-5M8-034

**CMP TER**®

[www.cmptter.com](http://www.cmptter.com)



DIMENSIONS IN MILLIMETERS (mm)

SIZE:  
A4

SCALE:  
2:1

SHEET:  
1/1

REV:  
B