

REV	DESCRIPTION OF REVISION	ECN No.	BY	DATE	APPROVED
A	INITIAL RELEASE	—	H. Xiao	01/10/07	M. Dong
B	STRUCTURE CHANGED	—	H. Xiao	03/03/09	M. Dong

## TECHNICAL DATA

### ■ Electrical data

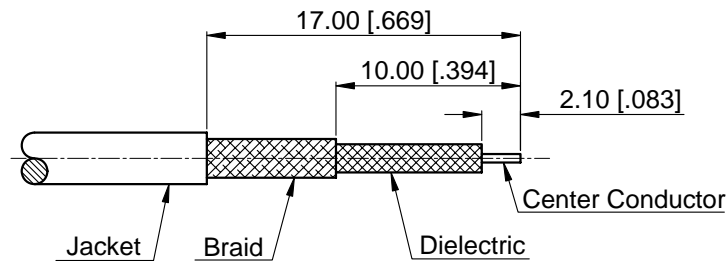
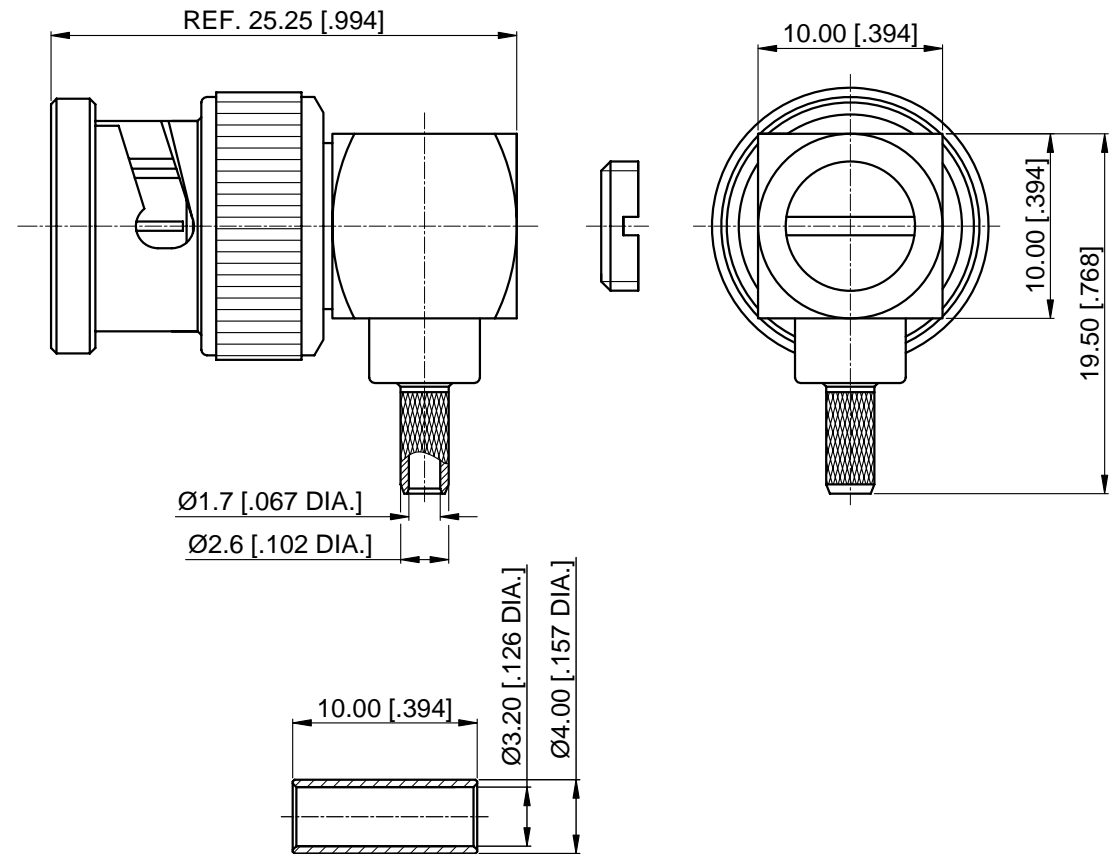
Impedance	50 Ω
Frequency range	0~4 GHz
Insulation resistance	≥5×10 <sup>3</sup> MΩ
Withstanding voltage	1000 V

### ■ Mechanical data

Temperature range	-55 °C ~ +165 °C
Durability (matings)	>500

### ■ Material data

Body	Brass,Nickel-plated
Pin Contact	Brass,Gold-plated
Coupling Nut	Brass,Nickel-plated
Crimp Ferrule	Copper, Nickel-plated
Insulator	PTFE
Gasket	Silicone Rubber


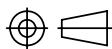


Cable Stripping Dimensions

1. CRIMP FERRULE  
HEX.CRIMP TOOL SIZE: 3.25 [.128]

#### NOTES:

- ALL SPECIFICATIONS ARE SUBJECT TO CHANGE WITHOUT NOTICE AT ANY TIME
- CUSTOMER OUTLINE DRAWING FOR REFERENCE ONLY

DRAWN: H. Xiao 03/03/09	TITLE:	 www.cmppter.com				
ENGINEER: J. Zhu 03/03/09	BNC Right Angle Male Crimp for LMR100/RG174/RG316 Cable					
APPROVED: M. Dong 03/03/09		 DIMENSIONS IN MILLIMETERS (mm)				
TOLERANCE UNLESS OTHERWISE SPECIFIED	PART No.: 10-13-1M00-015	<table border="1"> <tr> <td>SIZE: A4</td> <td>SCALE: 2.5:1</td> <td>SHEET: 1/1</td> <td>REV: B</td> </tr> </table>	SIZE: A4	SCALE: 2.5:1	SHEET: 1/1	REV: B
SIZE: A4	SCALE: 2.5:1	SHEET: 1/1	REV: B			
X ±0.50 [.019"] .X ±0.20 [.008"] .XX ±0.10 [.004"] ANGLES ±1°						