

REV	DESCRIPTION OF REVISION	ECN No.	BY	DATE	APPROVED
A	INITIAL RELEASE	—	H. Xiao	01/12/07	M. Dong
B	STRUCTURE CHANGED	—	H. Xiao	04/28/09	M. Dong

TECHNICAL DATA

Electrical data

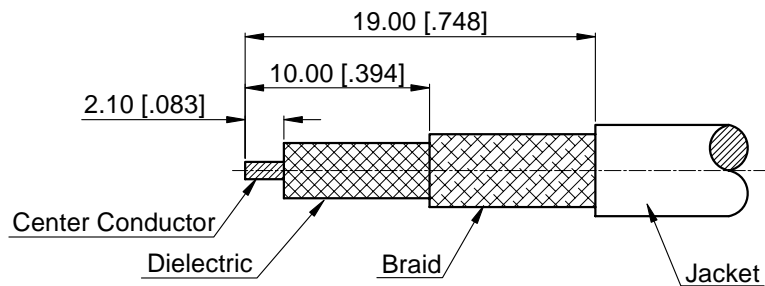
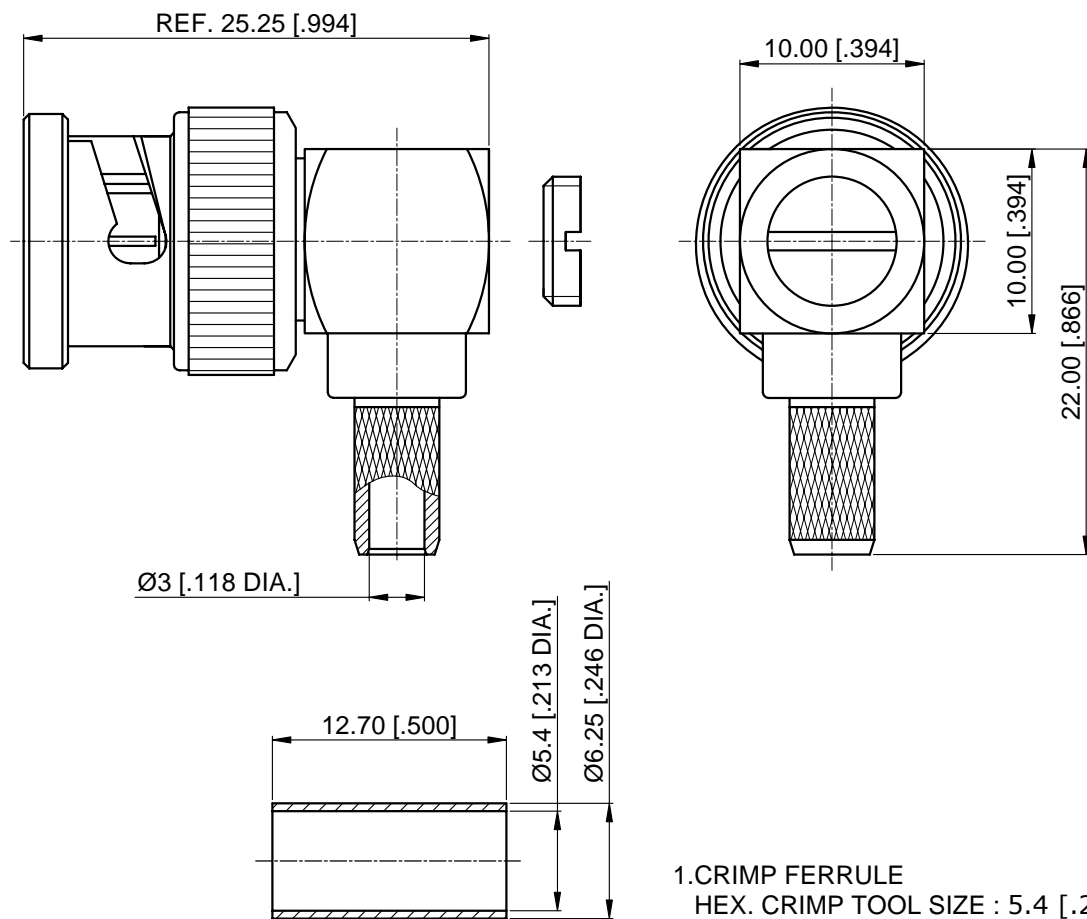
Impedance	50 Ω
Frequency range	0~4 GHz
Insulation resistance	≥5x10 ³ MΩ
Withstanding voltage	1000 V

Mechanical data

Temperature range	-55 °C ~ +165 °C
Durability (matings)	>500

Material data


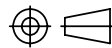
Body	Brass,Nickel-plated
Pin Contact	Brass,Gold-plated
Coupling Nut	Brass,Nickel-plated
Crimp Ferrule	Copper, Nickel-plated
Insulator	PTFE
Gasket	Silicone Rubber



Recommend Cable Stripping Dimensions

NOTES:

- ALL SPECIFICATIONS ARE SUBJECT TO CHANGE WITHOUT NOTICE AT ANY TIME
- CUSTOMER OUTLINE DRAWING FOR REFERENCE ONLY

DRAWN: H. Xiao 04/28/09	TITLE:	 www.cmppter.com			
ENGINEER: J. Zhu 04/28/09	BNC Right Angle Male Crimp for RG58/LMR195 Cable				
APPROVED: M. Dong 04/28/09		 DIMENSIONS IN MILLIMETERS (mm)			
TOLERANCE UNLESS OTHERWISE SPECIFIED	PART No.: 10-13-1M18-016				SIZE: A4

X	±0.50	[.019"]
.X	±0.20	[.008"]
.XX	±0.10	[.004"]
ANGLES	±1°	