

TECHNICAL DATA

Electrical

Impedance 50 Ω
 Frequency range 0~6 GHz
 Voltage Rating 250 V rms
 Insulation resistance ≥1000MΩ

Mechanical & Environmental

Durability (matings) >500
 Temperature range -55 °C ~ +165 °C
 RoHS Compliant Yes

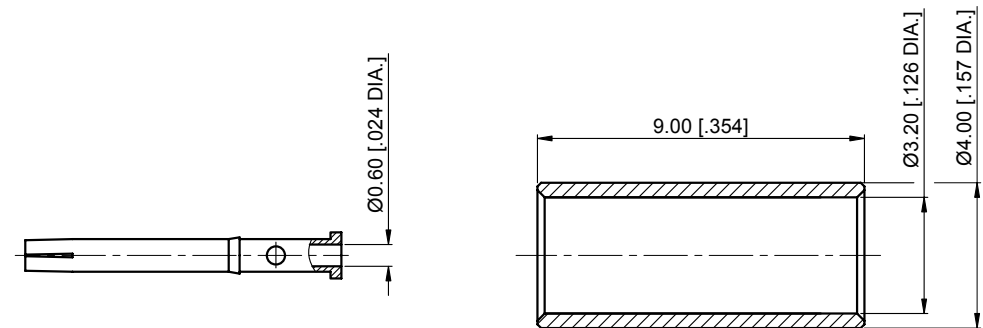
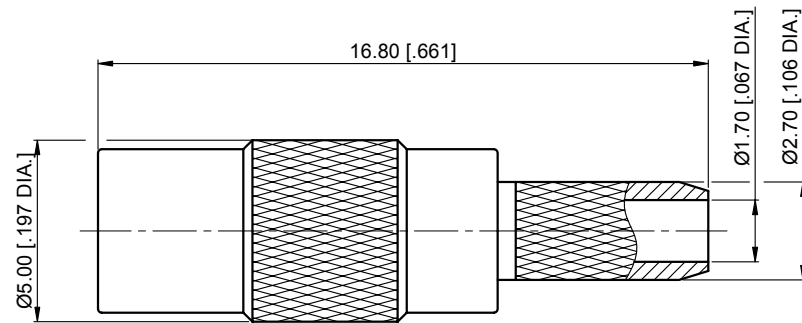
Material & Finish

Body Brass, Gold-plated
 Pin Contact Phosphor Bronze, Gold-plated
 Crimp Ferrule Copper, Nickel-plated
 Insulator PTFE

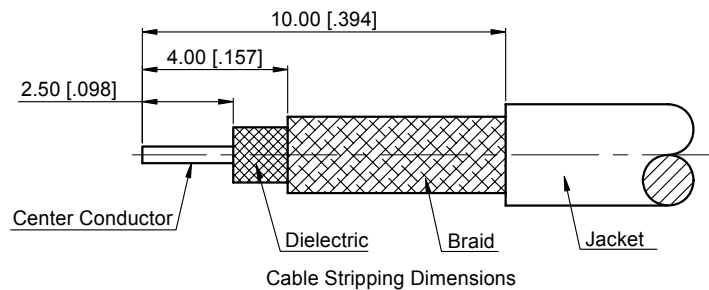
Interface Standards

MCX IEC 61169

REVISIONS				
REV	DESCRIPTION OF REVISION	ECN No.	DATE	APPROVED
A	INITIAL RELEASE	---	03/11/2007	M. Dong
B	PART NUMBER CHANGED	---	11/03/2009	M. Dong
C	DIMENSIONS CHANGED	---	05/11/2014	M. Dong



Part Number	Part / Finish
30-02-1M00-010-1	Body / Gold
30-02-1M00-010-2	Body / Nickel



1. CRIMP FERRULE
 HEX. CRIMP TOOL SIZE: 3.25 [.128]

NOTES:

- ALL SPECIFICATIONS ARE SUBJECT TO CHANGE WITHOUT NOTICE AT ANY TIME
- UNLESS OTHERWISE SPECIFIED ALL DIMENSIONS ARE NOMINAL.

UNLESS OTHERWISE SPECIFIED, DIMENSIONS ARE IN MILLIMETERS (INCHES). UNLESS OTHERWISE SPECIFIED DIMENSIONAL TOLERANCES ARE: .XX ±0.13 [.005"] .X ±0.20 [.008"] X ±0.50 [.019"] ANGULAR TOLERANCES ARE: ALL±1°	DRAWN: L. Ma 05/11/2014
DO NOT SCALE DRAWING	CHECKED: J. Zhu 05/11/2014
PROJECTION:	APPROVED: M. Dong 05/11/2014

TITLE:	L. Ma	05/11/2014
	J. Zhu	05/11/2014
	M. Dong	05/11/2014

MCX Straight Female
 Crimp for LMR100/RG174
 /RG316 Cable

Cmptter Electronics Co., Ltd. www.cmptter.com			
PART No.: 30-02-1M00-010			
SIZE: A4	SCALE: 4:1	SHEET: 1/1	REV: C