

REVISIONS

REV	DESCRIPTION OF REVISION	ECN No.	DATE	APPROVED
A	INITIAL RELEASE	---	03/11/2007	M. Dong
B	DIMENSION CHANGED	---	03/16/2018	M. Dong

**TECHNICAL DATA**

**Electrical**

Impedance 50 Ω  
 Frequency range 0~3 GHz  
 Voltage Rating 250 V rms  
 Insulation resistance ≥1000MΩ

**Mechanical & Environmental**

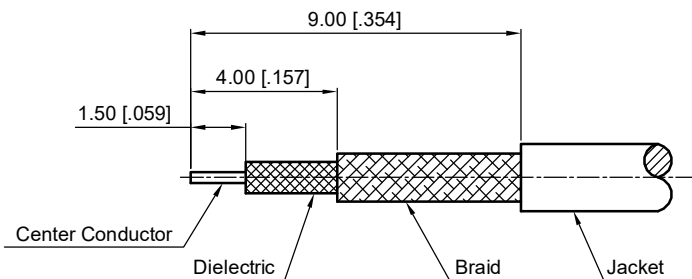
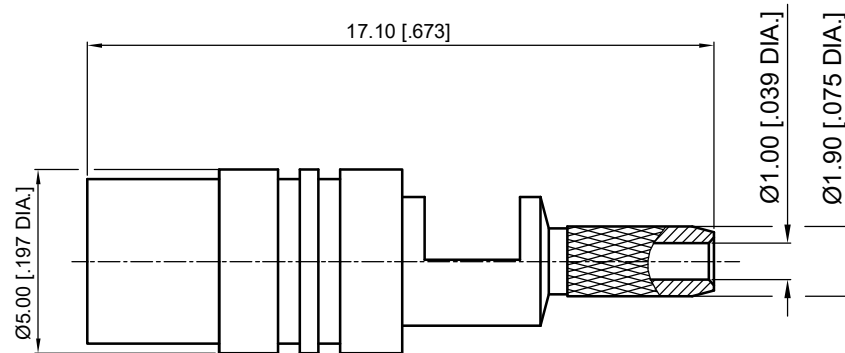
Durability (matings) >500  
 Temperature range -55 °C ~ +165 °C  
 RoHS Compliant Yes

**Material & Finish**

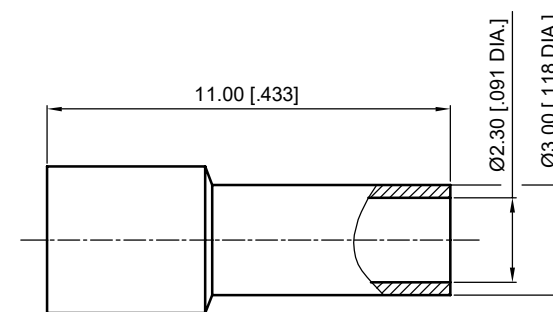
Body Brass, Gold-plated  
 Pin Contact Phosphor Bronze, Gold-plated  
 Crimp Ferrule Copper, Nickel - plated  
 Insulator PTFE

**Interface Standards**

MCX IEC-61169



Recommend Cable Stripping Dimensions



1. CRIMP FERRULE  
 HEX. CRIMP TOOL SIZE: 2.54 [0.100]

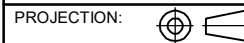
- NOTES:
- ALL SPECIFICATIONS ARE SUBJECT TO CHANGE WITHOUT NOTICE AT ANY TIME
  - UNLESS OTHERWISE SPECIFIED ALL DIMENSIONS ARE NOMINAL.

UNLESS OTHERWISE SPECIFIED, DIMENSIONS ARE IN MILLIMETERS (INCHES).  
 UNLESS OTHERWISE SPECIFIED DIMENSIONAL TOLERANCES ARE:

.XX ±0.13 [0.005"]  
 .X ±0.20 [0.008"]  
 X ±0.50 [0.019"]

ANGULAR TOLERANCES ARE: ALL= ±1°

DO NOT SCALE DRAWING



DRAWN:	L. Ma	03/16/2018
CHECKED:	J. Zhu	03/16/2018
APPROVED:	M. Dong	03/16/2018

TITLE:  
**MCX Straight Female Crimp  
 for RG178 Cable**



Cmptter Electronics Co., Ltd. [www.cmptter.com](http://www.cmptter.com)

PART No.:  
**30-02-1M12-011**

SIZE: A4	SCALE: 5:1	SHEET: 1/1	REV: B
-------------	---------------	---------------	-----------