

# TECHNICAL DATA

## Electrical

Impedance 50 Ω  
 Frequency range 0~6 GHz  
 Voltage Rating 250 V rms  
 Insulation resistance ≥1000MΩ

## Mechanical & Environmental

Durability (matings) >500  
 Temperature range -55 °C ~ +165 °C  
 RoHS Compliant Yes

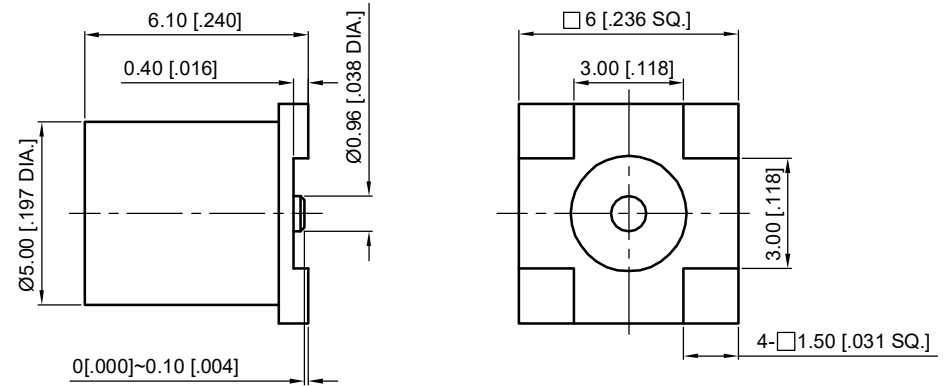
## Material & Finish

Body Brass, Gold-plated  
 Pin Contact Beryllium Copper Alloy, Gold-plated  
 Insulator PTFE

## Interface Standards

MCX IEC-61169

REVISIONS				
REV	DESCRIPTION OF REVISION	ECN No.	DATE	APPROVED
A	INITIAL RELEASE	---	07/13/2017	M. Dong
B	DIMENSION CHANGED	---	07/14/2017	M. Dong



- NOTES:
- ALL SPECIFICATIONS ARE SUBJECT TO CHANGE WITHOUT NOTICE AT ANY TIME
  - UNLESS OTHERWISE SPECIFIED ALL DIMENSIONS ARE NOMINAL.

UNLESS OTHERWISE SPECIFIED, DIMENSIONS ARE IN MILLIMETERS [INCHES]. UNLESS OTHERWISE SPECIFIED DIMENSIONAL TOLERANCES ARE: .XX ±0.13 [0.005] .X ±0.20 [0.008] X ±0.50 [0.019] ANGULAR TOLERANCES ARE: ALL= ±1° DO NOT SCALE DRAWING
PROJECTION:

DRAWN:	L. Ma	07/14/2017
CHECKED:	J. Zhu	07/14/2017
APPROVED:	M. Dong	07/14/2017

TITLE:  
**MCX Straight Female for PCB**



Cmppter Electronics Co., Ltd. [www.cmppter.com](http://www.cmppter.com)

PART No.:  
**30-02-6L2-033**

SIZE: A4	SCALE: 5:1	SHEET: 1/1	REV: B
-------------	---------------	---------------	-----------