

TECHNICAL DATA

Electrical

Impedance 50 Ω
 Frequency range 0~6 GHz
 Voltage Rating 250 V rms
 Insulation resistance ≥1000MΩ

Mechanical & Environmental

Durability (matings) >500
 Temperature range -55 °C ~ +165 °C
 RoHS Compliant Yes

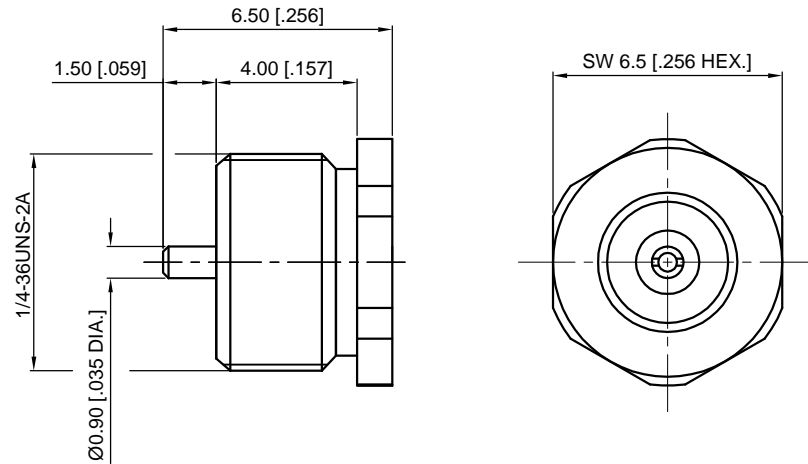
Material & Finish

Body Brass, Gold-plated
 Pin Contact Beryllium Copper Alloy, Gold-plated
 Insulator PTFE

Interface Standards

MCX IEC-61169

REVISIONS				
REV	DESCRIPTION OF REVISION	ECN No.	DATE	APPROVED
A	INITIAL RELEASE	—	12/01/2019	M. Dong



1
2
3
4
5
6
7

1
2
3
4
5
6
7

- NOTES:
- ALL SPECIFICATIONS ARE SUBJECT TO CHANGE WITHOUT NOTICE AT ANY TIME
 - UNLESS OTHERWISE SPECIFIED ALL DIMENSIONS ARE NOMINAL.

UNLESS OTHERWISE SPECIFIED, DIMENSIONS ARE IN MILLIMETERS [INCHES]. UNLESS OTHERWISE SPECIFIED DIMENSIONAL TOLERANCES ARE: .XX ±0.13 [0.005"] X ±0.20 [0.008"] X ±0.50 [0.019"] ANGULAR TOLERANCES ARE: ALL= ±1° DO NOT SCALE DRAWING PROJECTION:	DRAWN:	L. Ma	12/01/2019
	CHECKED:	J. Zhu	12/01/2019
	APPROVED:	M. Dong	12/01/2019
	TITLE:		
MCX Jack Bulkhead Mount with Coaxial End			

CMP[®]TER

Cmpter Electronics Co., Ltd. www.cmpter.com

PART No.: **30-02-9A2-041**

SIZE: A4	SCALE: 5:1	SHEET: 1/1	REV: A
----------	------------	------------	--------