

| REV | DESCRIPTION OF REVISION | ECN No. | BY    | DATE     | APPROVED |
|-----|-------------------------|---------|-------|----------|----------|
| A   | INITIAL RELEASE         | —       | L. Ma | 02/23/07 | M. Dong  |
| B   | MATERIAL CHANGED        | —       | L. Ma | 04/12/10 | M. Dong  |

## TECHNICAL DATA

### Electrical data

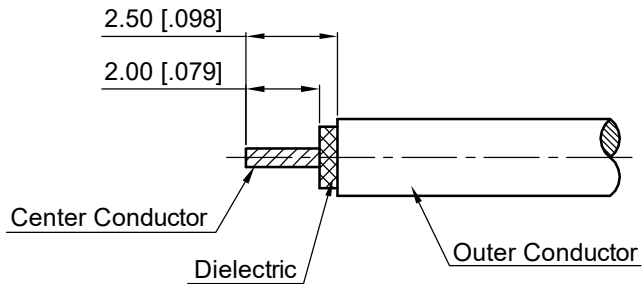
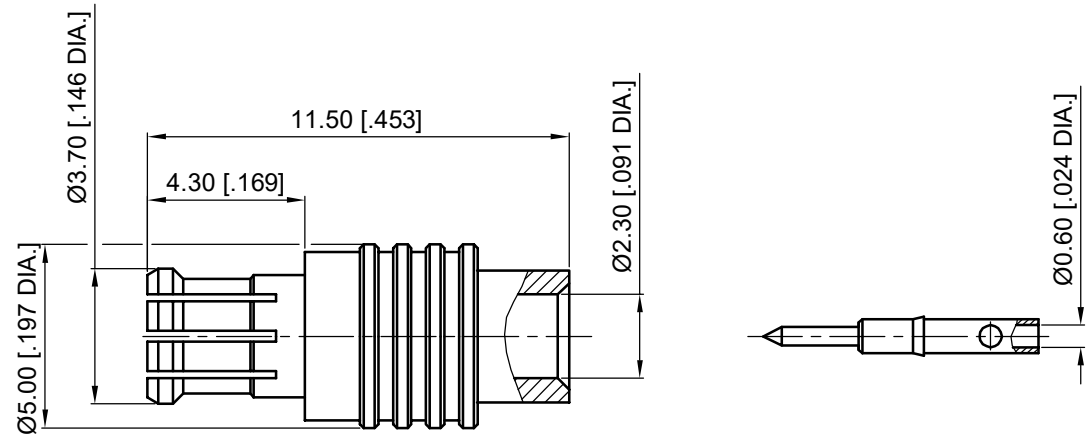
|                       |                       |
|-----------------------|-----------------------|
| Impedance             | 50 Ω                  |
| Frequency range       | 0~6 GHz               |
| Insulation resistance | ≥1x10 <sup>3</sup> MΩ |
| Voltage Rating        | 250 V rms             |

### Mechanical data

|                      |                  |
|----------------------|------------------|
| Temperature range    | -65 °C ~ +165 °C |
| Durability (matings) | >500             |

### Material data


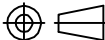
|             |                    |
|-------------|--------------------|
| Body        | Brass, Gold-plated |
| Pin Contact | Brass, Gold-plated |
| Insulator   | PTFE               |



Cable Stripping Dimensions

#### NOTES:

- ALL SPECIFICATIONS ARE SUBJECT TO CHANGE WITHOUT NOTICE AT ANY TIME
- CUSTOMER OUTLINE DRAWING FOR REFERENCE ONLY

|                                      |  |   |  |  |             |
|--------------------------------------|--|---|--|--|-------------|
| DRAWN: L. Ma 04/12/10                | TITLE:   | <br><a href="http://www.cmp ter.com">www.cmp ter.com</a> |  |  |             |
| ENGINEER: J. Zhu 04/12/10            | MCX Straight Male Solder<br>for .086/RG405 cable |   |  |  |             |
| APPROVED: M. Dong 04/12/10           |  |  DIMENSIONS IN MILLIMETERS (mm)                          |  |  |             |
| TOLERANCE UNLESS OTHERWISE SPECIFIED | PART No.: 30-03-2M11-004                         |   |  |  | SIZE:<br>A4 |
| X ±0.50 [.019"]                      |  |   |  |  |             |
| .X ±0.20 [.008"]                     |  |   |  |  |             |
| .XX ±0.10 [.004"]                    |  |   |  |  |             |
| ANGLES ±1°                           |  |   |  |  |             |