

TECHNICAL DATA

Electrical

Impedance 50 Ω
 Frequency range 0~6 GHz
 Voltage Rating 500 V rms
 Insulation resistance ≥1000MΩ

Mechanical & Environmental

Durability (matings) >500
 Temperature range -55 °C ~ +155 °C
 RoHS Compliant Yes

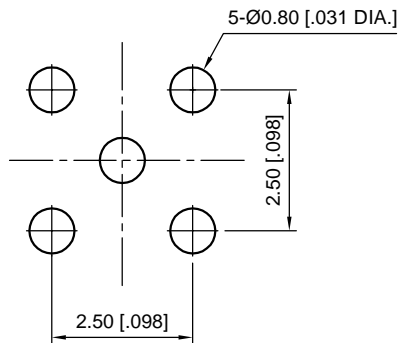
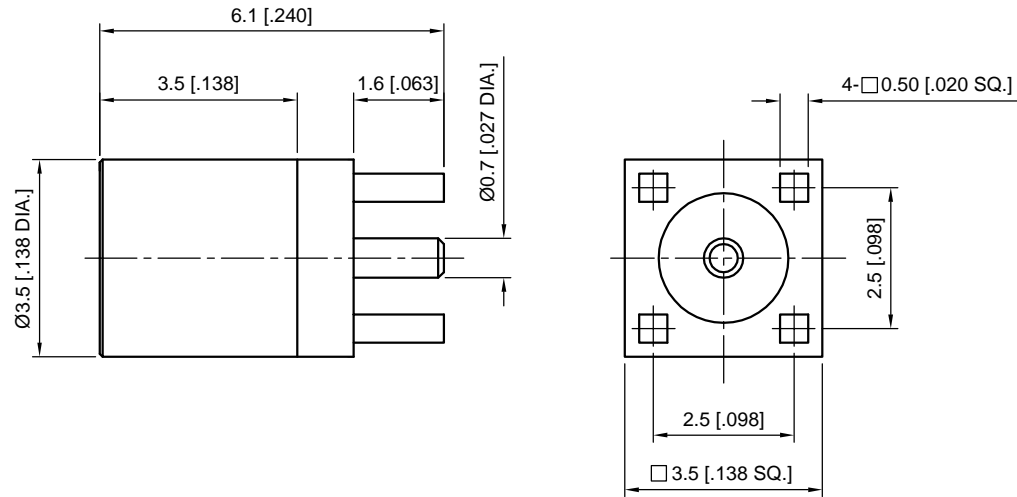
Material & Finish

Body Brass, Gold-plated
 Pin Contact Beryllium Copper Alloy, Gold-plated
 Insulator PTFE

Interface Standards

MMCX BS-EN-122340

REVISIONS				
REV	DESCRIPTION OF REVISION	ECN No.	DATE	APPROVED
A	INITIAL RELEASE	—	09/11/2020	M. Dong



UNLESS OTHERWISE SPECIFIED, DIMENSIONS ARE IN MILLIMETERS (INCHES). UNLESS OTHERWISE SPECIFIED DIMENSIONAL TOLERANCES ARE: .XX ±0.13 [.005"] X ±0.20 [.008"] X ±0.50 [.019"] ANGULAR TOLERANCES ARE: ALL= ±1° DO NOT SCALE DRAWING PROJECTION:

DRAWN:	L. Ma	09/11/2020
CHECKED:	J. Zhu	09/11/2020
APPROVED:	M. Dong	09/11/2020

TITLE:
**MMCX Straight Female
 PCB Mount**



Cmptter Electronics Co., Ltd. www.cmptter.com

PART No.:
31-02-5L2-044

SIZE: A4	SCALE: 5:1	SHEET: 1/1	REV: A
-------------	---------------	---------------	-----------

- NOTES:
- ALL SPECIFICATIONS ARE SUBJECT TO CHANGE WITHOUT NOTICE AT ANY TIME
 - UNLESS OTHERWISE SPECIFIED ALL DIMENSIONS ARE NOMINAL.