

| REV | DESCRIPTION OF REVISION | ECN No. | BY    | DATE     | APPROVED |
|-----|-------------------------|---------|-------|----------|----------|
| A   | INITIAL RELEASE         | —       | L. Ma | 03/15/08 | J. Zhu   |

## TECHNICAL DATA

### Electrical data

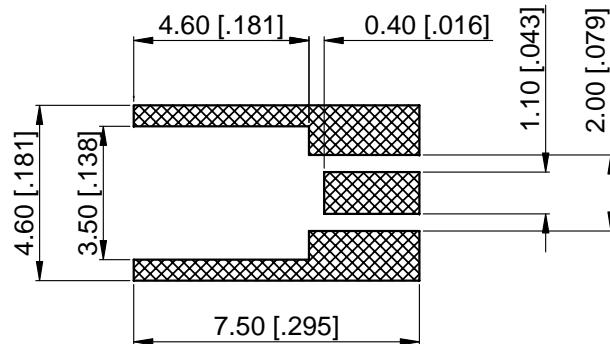
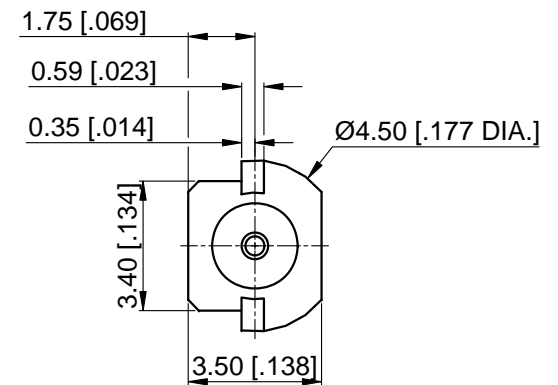
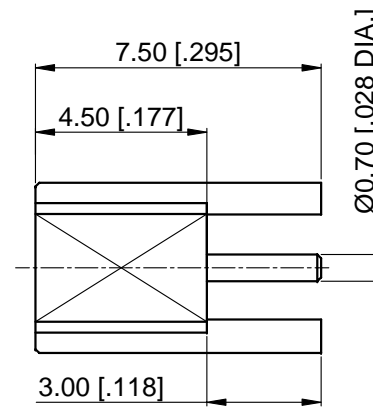
|                       |                       |
|-----------------------|-----------------------|
| Impedance             | 50 Ω                  |
| Frequency range       | 0~6 GHz               |
| Insulation resistance | ≥1×10 <sup>3</sup> MΩ |
| Withstanding voltage  | 500 V                 |

### Mechanical data

|                      |                  |
|----------------------|------------------|
| Temperature range    | -65 °C ~ +165 °C |
| Durability (matings) | >500             |

### Material data


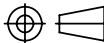
|             |                                     |
|-------------|-------------------------------------|
| Bodies      | Brass, Gold-plated                  |
| Pin Contact | Beryllium Copper Alloy, Gold-plated |
| Insulator   | PTFE                                |



Recommended Soldering Pads

#### NOTES:

- ALL SPECIFICATIONS ARE SUBJECT TO CHANGE WITHOUT NOTICE AT ANY TIME
- CUSTOMER OUTLINE DRAWING FOR REFERENCE ONLY

|  |  |   |               |               |           |
|--|--|---|---------------|---------------|-----------|
| DRAWN: L. Ma 03/15/08<br>ENGINEER: J. Zhu 03/15/08<br>APPROVED: M. Dong 03/15/08<br>TOLERANCE UNLESS OTHERWISE SPECIFIED<br>X ±0.50 [.019"]<br>.X ±0.20 [.008"]<br>.XX ±0.10 [.004"]<br>ANGLES ±1° | TITLE:<br><b>MMCX STRAIGHT PCB JACK<br/>         SMT,END LAUNCH, BLUND POST</b>                                      |  <b>CMPPTER</b> <sup>®</sup><br><a href="http://www.cmppter.com">www.cmppter.com</a> |               |               |           |
| PART No.: 31-02-6L2-018  |  DIMENSIONS IN MILLIMETERS (mm) | SIZE:<br>A4   | SCALE:<br>5:1 | SHEET:<br>1/1 | REV:<br>A |