

REVISIONS

REV	DESCRIPTION OF REVISION	ECN No.	DATE	APPROVED
A	INITIAL RELEASE	—	04/13/2015	M. Dong

TECHNICAL DATA

Electrical

Impedance 50 Ω
 Frequency range 0~3 GHz
 Voltage Rating 170 V rms
 Insulation resistance ≥1000MΩ

Mechanical & Environmental

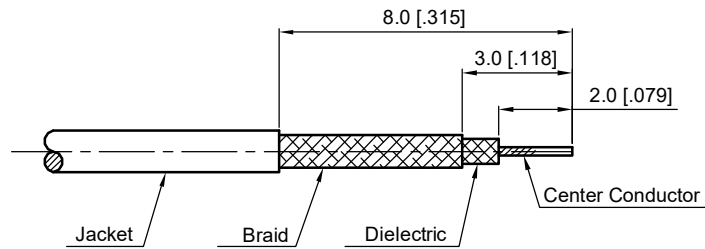
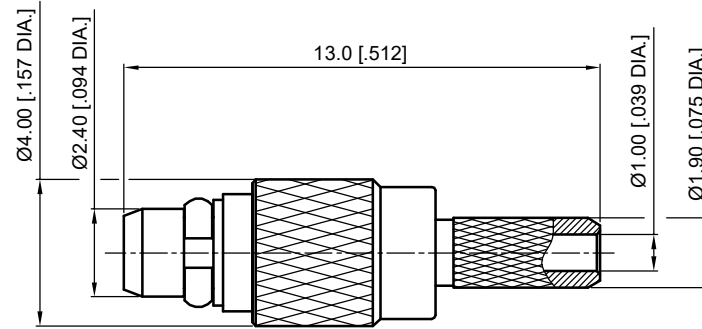
Durability (matings) >500
 Temperature range -55 °C ~ +165 °C
 RoHS Compliant Yes

Material & Finish

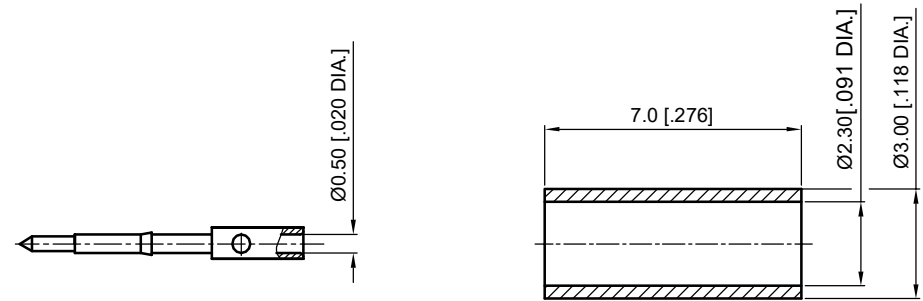
Body Brass, Gold-plated
 Pin Contact Brass, Gold-plated
 Crimp Ferrule Copper, Nickel-plated
 Insulator PTFE

Interface Standards

MMCX BS-EN-122340



Recommended Cable Stripping Dimensions



NOTES:

1. ALL SPECIFICATIONS ARE SUBJECT TO CHANGE WITHOUT NOTICE AT ANY TIME
2. UNLESS OTHERWISE SPECIFIED ALL DIMENSIONS ARE NOMINAL.

UNLESS OTHERWISE SPECIFIED, DIMENSIONS ARE IN MILLIMETERS (INCHES).
 UNLESS OTHERWISE SPECIFIED DIMENSIONAL TOLERANCES ARE:
 .XX ±0.13 [.005"]
 .X ±0.20 [.008"]
 X ±0.50 [.019"]

ANGULAR TOLERANCES ARE: ALL= ±1°

DO NOT SCALE DRAWING

PROJECTION:



DRAWN:	L. Ma	04/13/2015
CHECKED:	J. Zhu	04/13/2015
APPROVED:	M. Dong	04/13/2015

TITLE:
MMCX Straight Male Crimp for RG178 Cable



Cmppter Electronics Co., Ltd. www.cmppter.com

PART No.:
31-03-1M12-025

SIZE: A4	SCALE: 5:1	SHEET: 1/1	REV: A
-------------	---------------	---------------	-----------