

REV	DESCRIPTION OF REVISION	ECN No.	BY	DATE	APPROVED
A	INITIAL RELEASE	—	L. Ma	04/11/08	J. Zhu

## TECHNICAL DATA

### Electrical data

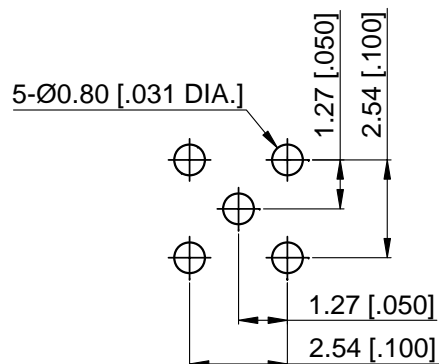
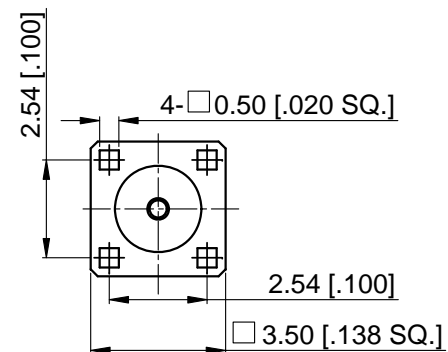
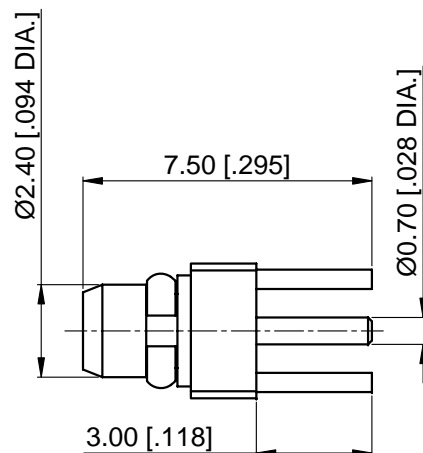
Impedance	50 $\Omega$
Frequency range	0~6 GHz
Insulation resistance	$\geq 5 \times 10^3$ M $\Omega$
Withstanding voltage	500 V

### Mechanical data

Temperature range	-55 °C ~ +155 °C
Durability (matings)	>500

### Material data


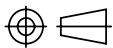
Bodies	Brass, Gold-plated
Pin Contact	Brass, Gold-plated
Spring Latch	Beryllium Copper Alloy, Gold-plated
Insulator	PTFE



Recommended Mounting Hole

#### NOTES:

1. ALL SPECIFICATIONS ARE SUBJECT TO CHANGE WITHOUT NOTICE AT ANY TIME
2. CUSTOMER OUTLINE DRAWING FOR REFERENCE ONLY

DRAWN: L. Ma 04/11/08	TITLE:	 <a href="http://www.cmpter.com">www.cmpter.com</a>			
ENGINEER: J. Zhu 04/11/08	MMCX Straight PCB Plug, Blund Post				
APPROVED: M. Dong 04/11/08		 DIMENSIONS IN MILLIMETERS (mm)			
TOLERANCE UNLESS OTHERWISE SPECIFIED					
X ±0.50 [.019"] .X ±0.20 [.008"] .XX ±0.10 [.004"] ANGLES ±1°	PART No.: 31-03-5L2-017	SIZE: A4	SCALE: 5:1	SHEET: 1/1	REV: A