

REVISIONS				
REV	DESCRIPTION OF REVISION	ECN No.	DATE	APPROVED
A	INITIAL RELEASE		11/17/2016	M. Dong

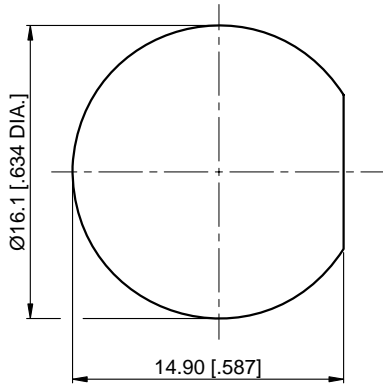
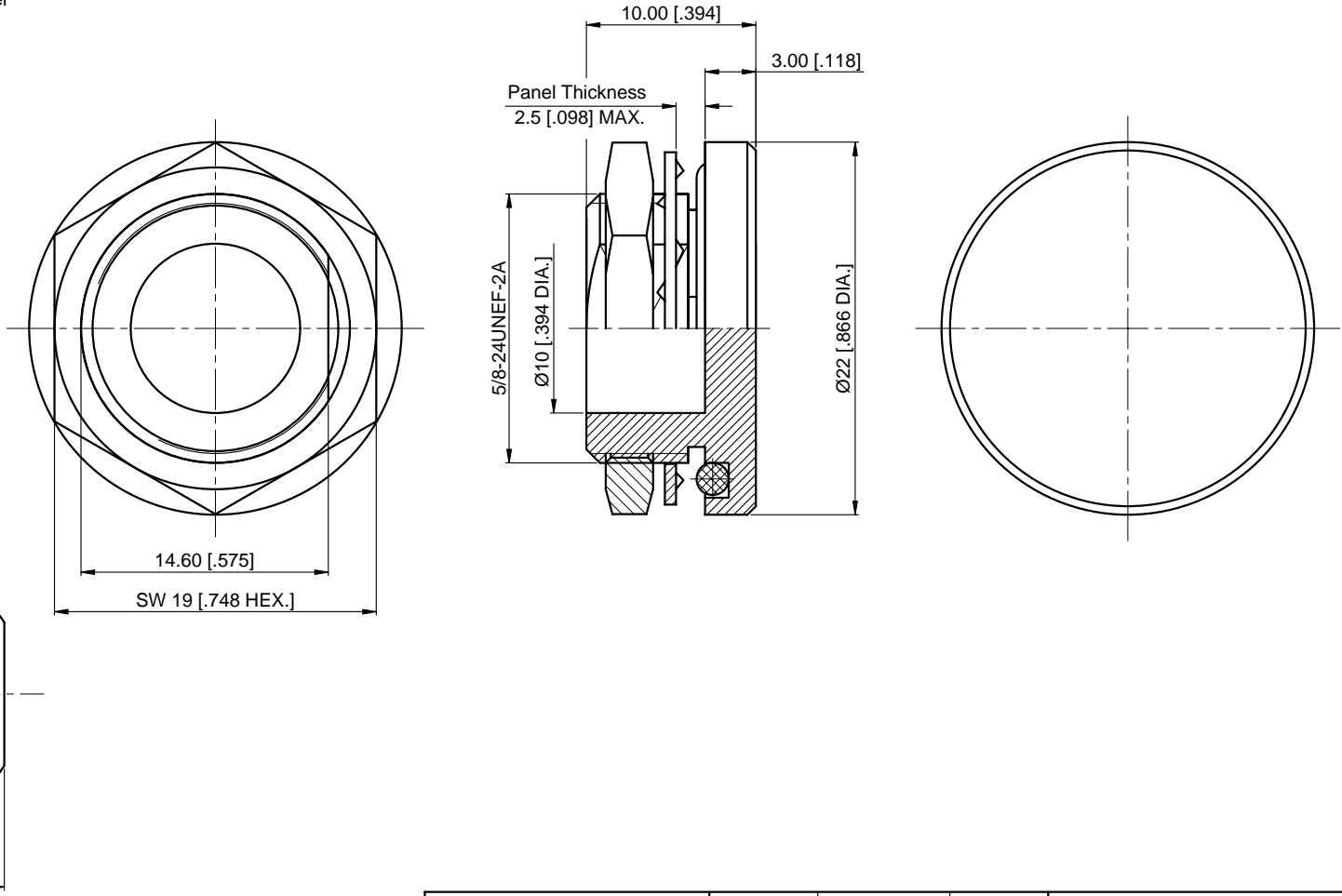
# TECHNICAL DATA

## Material & Finish

Body Brass, Nickel-plated  
 Fastening Nut Brass, Nickel-plated  
 Gasket Silicone Rubber

## Interface Standards

N IEC-60169



Recommended Mounting Hole

- NOTES:
- ALL SPECIFICATIONS ARE SUBJECT TO CHANGE WITHOUT NOTICE AT ANY TIME
  - UNLESS OTHERWISE SPECIFIED ALL DIMENSIONS ARE NOMINAL.

UNLESS OTHERWISE SPECIFIED, DIMENSIONS ARE IN MILLIMETERS (INCHES).  
 UNLESS OTHERWISE SPECIFIED DIMENSIONAL TOLERANCES ARE:

.XX	±0.13 [.005"]
.X	±0.20 [.008"]
X	±0.50 [.019"]

ANGULAR TOLERANCES ARE: ALL±1°

DO NOT SCALE DRAWING

PROJECTION:

DRAWN:	H. Xiao	11/17/2016
CHECKED:	J. Zhu	11/17/2016
APPROVED:	M. Dong	11/17/2016

TITLE: Protective Cap, N Female

**CMPPTER**<sup>®</sup>  
 Cmppter Electronics Co., Ltd. [www.cmppter.com](http://www.cmppter.com)

PART No.: 50-02-918-168

SIZE: A4	SCALE: 2.5:1	SHEET: 1/1	REV: A
----------	--------------	------------	--------