

# TECHNICAL DATA

## Electrical

Impedance 50 Ω  
 Frequency range 0~3 GHz  
 Withstanding voltage 2500 V  
 Insulation resistance  $\geq 5 \times 10^3$  MΩ

## Mechanical & Environmental

Durability (matings) >500  
 Temperature range -55 °C ~ +165 °C  
 RoHS Compliant Yes

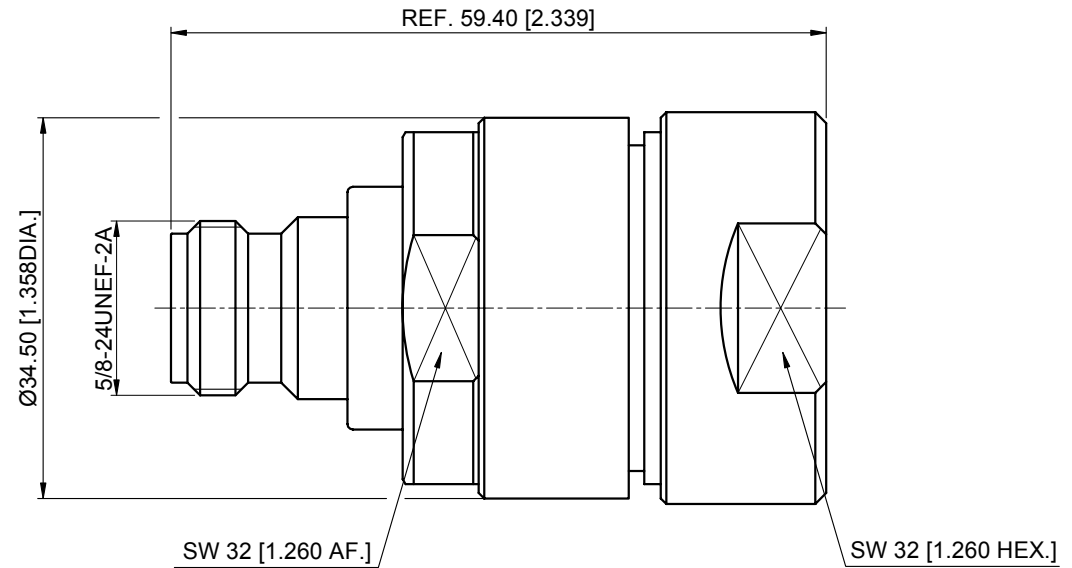
## Material & Finish

Body Brass, Albaloy-plated  
 Pin Contact Phosphor Bronze, Siliver-plated  
 Nut Brass, Nickel-plated  
 Gasket Silicone Rubber  
 Insulator PTFE

## Interface Standards

N IEC 60169

REVISIONS				
REV	DESCRIPTION OF REVISION	ECN No.	DATE	APPROVED
A	INITIAL RELEASE	—	10/08/2010	M. Dong
B	INITIAL RELEASE	—	06/15/2013	M. Dong



UNLESS OTHERWISE SPECIFIED, DIMENSIONS ARE IN MILLIMETERS [INCHES]. UNLESS OTHERWISE SPECIFIED DIMENSIONAL TOLERANCES ARE: .XX ±0.13 [.005"] .X ±0.20 [.008"] X ±0.50 [.019"] ANGULAR TOLERANCES ARE: ALL±1° DO NOT SCALE DRAWING PROJECTION:
--

DRAWN:	L. Ma	06/15/2013
CHECKED:	J. Zhu	06/15/2013
APPROVED:	M. Dong	06/15/2013

TITLE:  
**N Straight Female  
 Clamp for 7/8" RF Cable**

Cmptter Electronics Co., Ltd. <a href="http://www.cmptter.com">www.cmptter.com</a>			
PART No.: <b>50-02-4M25-050</b>			
SIZE: A4	SCALE: 1.5:1	SHEET: 1/1	REV: B

### NOTES:

- ALL SPECIFICATIONS ARE SUBJECT TO CHANGE WITHOUT NOTICE AT ANY TIME
- UNLESS OTHERWISE SPECIFIED ALL DIMENSIONS ARE NOMINAL.