

TECHNICAL DATA

Electrical

Impedance 50 Ω
 Frequency range 0~3 GHz
 VSWR ≤1.10
 Working voltage 1000 Vrms
 Insulation resistance ≥5000MΩ

Mechanical & Environmental

Durability (matings) >500
 Temperature range -55 °C ~ +165 °C
 RoHS Compliant Yes

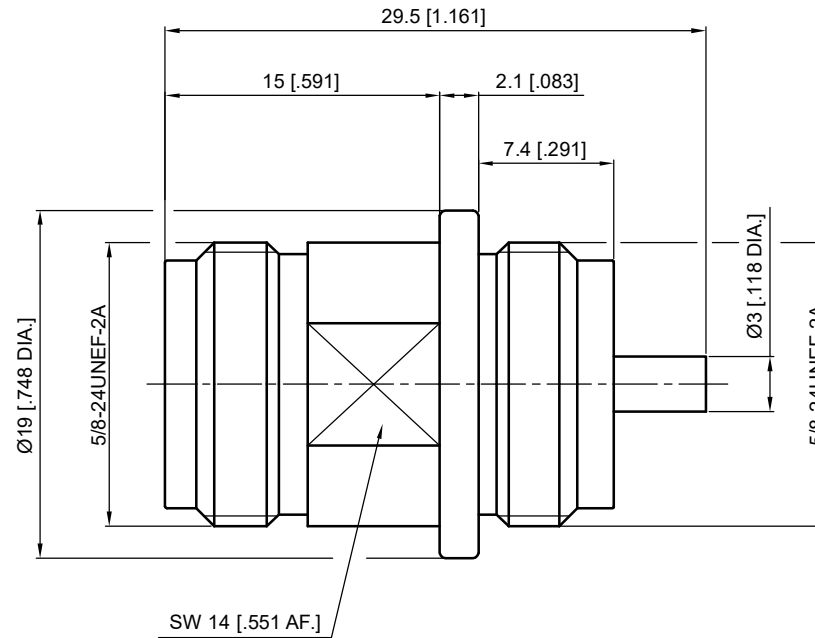
Material & Finish

Body Brass, Tri-Metal-plated(Cu-Sn-Zn)
 Pin Contact Phosphor Bronze, Gold-plated
 Insulator PTFE

Interface Standards

N IEC-60169

REVISIONS				
REV	DESCRIPTION OF REVISION	ECN No.	DATE	APPROVED
A	INITIAL RELEASE	—	12/17/2018	M. Dong
B	ADD VSWR PERFORMANCE	—	12/17/2018	M. Dong



要求：5%盐雾48小时，无锈蚀，无氧化，无镀层脱落。内部结构尺寸依照样品。

NOTES:

- ALL SPECIFICATIONS ARE SUBJECT TO CHANGE WITHOUT NOTICE AT ANY TIME
- UNLESS OTHERWISE SPECIFIED ALL DIMENSIONS ARE NOMINAL.

UNLESS OTHERWISE SPECIFIED, DIMENSIONS ARE IN MILLIMETERS [INCHES].
 UNLESS OTHERWISE SPECIFIED DIMENSIONAL TOLERANCES ARE:

.XX ±0.13 [.005"]
 .X ±0.20 [.008"]
 X ±0.50 [.019"]

ANGULAR TOLERANCES ARE: ALL= ±1°

DO NOT SCALE DRAWING

PROJECTION:

DRAWN:	L. Ma	12/17/2018
CHECKED:	J. Zhu	12/17/2018
APPROVED:	M. Dong	12/17/2018

TITLE:
**N Straight Bulkhead Female
 with Coaxial End**



Cmppter Electronics Co., Ltd. www.cmppter.com

PART No.:
50-02-8C2-220

SIZE:	SCALE:	SHEET:	REV:
A4	2.5:1	1/1	B