

# TECHNICAL DATA

## Electrical

Impedance 50 Ω  
 Frequency range 0~10 GHz  
 Withstanding voltage 1000 V  
 Insulation resistance ≥5000MΩ

## Mechanical & Environmental

Durability (matings) >500  
 Temperature range -55 °C ~ +165 °C  
 RoHS Compliant Yes

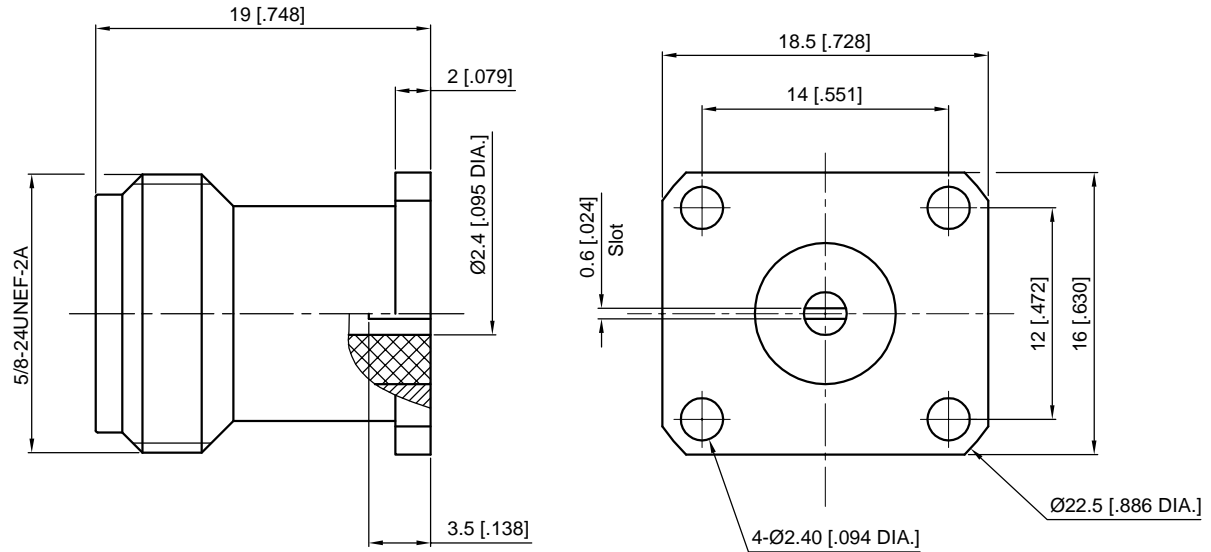
## Material & Finish

Body Brass, Nickel-plated  
 Pin Contact Phosphor Bronze, Gold-plated  
 Insulator PTFE

## Interface Standards

N IEC-60169-16

REVISIONS				
REV	DESCRIPTION OF REVISION	ECN No.	DATE	APPROVED
A	INITIAL RELEASE	—	04/18/2020	M. Dong



1  
2  
3  
4  
5  
6  
7

1  
2  
3  
4  
5  
6  
7

- NOTES:
- ALL SPECIFICATIONS ARE SUBJECT TO CHANGE WITHOUT NOTICE AT ANY TIME
  - UNLESS OTHERWISE SPECIFIED ALL DIMENSIONS ARE NOMINAL.

UNLESS OTHERWISE SPECIFIED, DIMENSIONS ARE IN MILLIMETERS (INCHES). UNLESS OTHERWISE SPECIFIED DIMENSIONAL TOLERANCES ARE: .XX ±0.13 [.005"] X ±0.20 [.008"] X ±0.50 [.019"] ANGULAR TOLERANCES ARE: ALL= ±1° DO NOT SCALE DRAWING PROJECTION:	DRAWN: L. Ma 04/18/2020 CHECKED: J. Zhu 04/18/2020 APPROVED: M. Dong 04/18/2020 TITLE: N Straight Female, 4 Hole Flange with Slot
---	--

Cmptert Electronics Co., Ltd. <a href="http://www.cmptert.com">www.cmptert.com</a>	PART No.: <b>50-02-8F3-267</b>
SIZE: A4	SCALE: 4:1
SHEET: 1/1	REV: A

DRAWN: L. Ma 04/18/2020 CHECKED: J. Zhu 04/18/2020 APPROVED: M. Dong 04/18/2020 TITLE: N Straight Female, 4 Hole Flange with Slot	
Cmptert Electronics Co., Ltd. <a href="http://www.cmptert.com">www.cmptert.com</a>	PART No.: <b>50-02-8F3-267</b>
SIZE: A4	SCALE: 4:1
SHEET: 1/1	REV: A