

REVISIONS

REV	DESCRIPTION OF REVISION	ECN No.	DATE	APPROVED
A	INITIAL RELEASE	---	04/18/2018	M. Dong
B	DIMENSIONS CHANGED	---	04/19/2018	M. Dong

TECHNICAL DATA

Electrical

Impedance 50 Ω
 Frequency range 4.9 GHz to 6.1 GHz
 Withstanding voltage 1000 V
 Insulation resistance ≥5000MΩ

Mechanical & Environmental

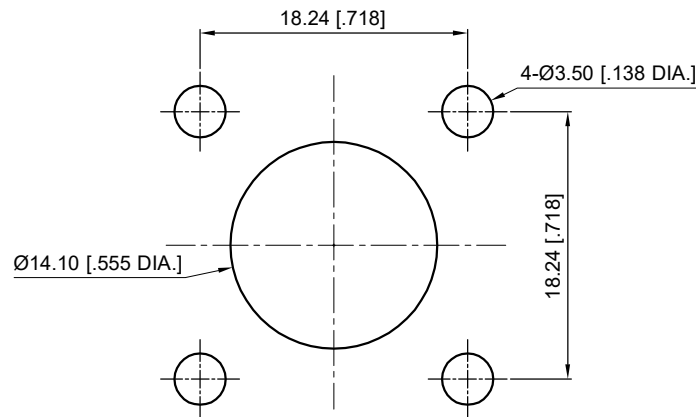
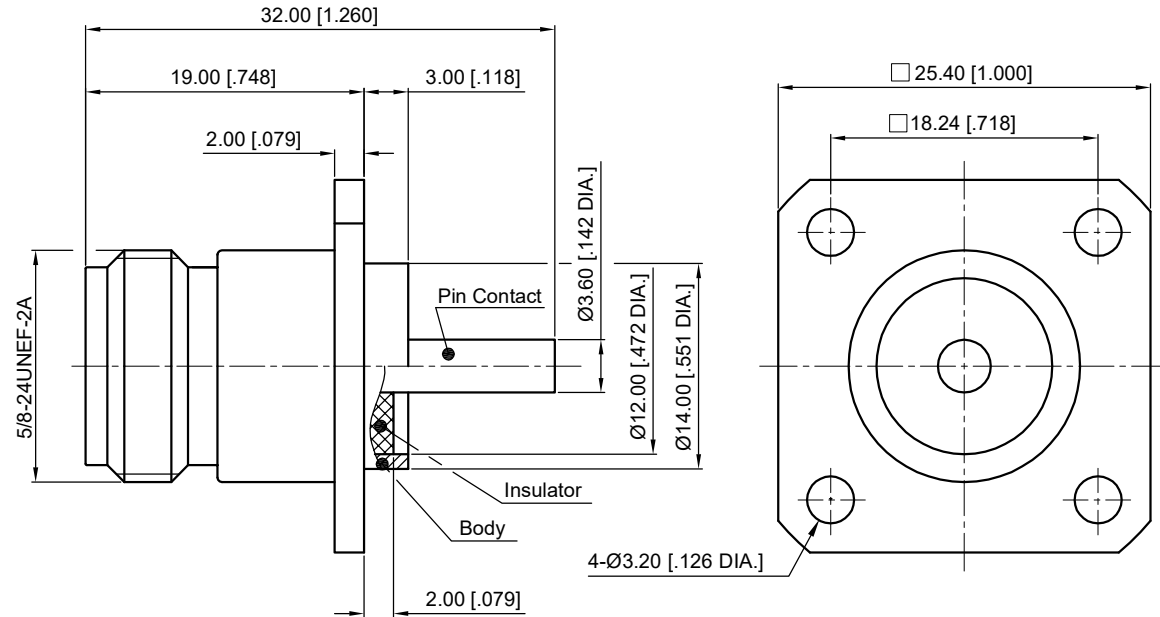
Durability (matings) >500
 Temperature range -55 °C ~ +165 °C
 RoHS Compliant Yes

Material & Finish

Body Brass, Nickel-plated
 Pin Contact Phosphor Bronze, Gold-plated
 Insulator PTFE

Interface Standards

N IEC-60169



Recommend Mounting Hole

NOTES:

- ALL SPECIFICATIONS ARE SUBJECT TO CHANGE WITHOUT NOTICE AT ANY TIME
- UNLESS OTHERWISE SPECIFIED ALL DIMENSIONS ARE NOMINAL.

UNLESS OTHERWISE SPECIFIED, DIMENSIONS ARE IN MILLIMETERS (INCHES).
 UNLESS OTHERWISE SPECIFIED DIMENSIONAL TOLERANCES ARE:

XX ±0.13 [.005"]
 X ±0.20 [.008"]
 X ±0.50 [.019"]

ANGULAR TOLERANCES ARE: ALL= ±1°

DO NOT SCALE DRAWING

PROJECTION:



DRAWN:	L. Ma	04/19/2018
CHECKED:	J. Zhu	04/19/2018
APPROVED:	M. Dong	04/19/2018

TITLE:
N Straight Female, 4 Hole Flange with Coaxial End



Cmptter Electronics Co., Ltd. www.cmptter.com

PART No.:

50-02-8F7-206

SIZE: A4	SCALE: 2:1	SHEET: 1/1	REV: B
-------------	---------------	---------------	-----------