

TECHNICAL DATA

Electrical

Impedance	50 Ω
Frequency range	0~ 11 GHz
Withstanding voltage	1000 V
Insulation resistance	≥5000MΩ

Mechanical & Environmental

Durability (matings)	>500
Temperature range	-55 °C ~ +155 °C
RoHS Compliant	Yes

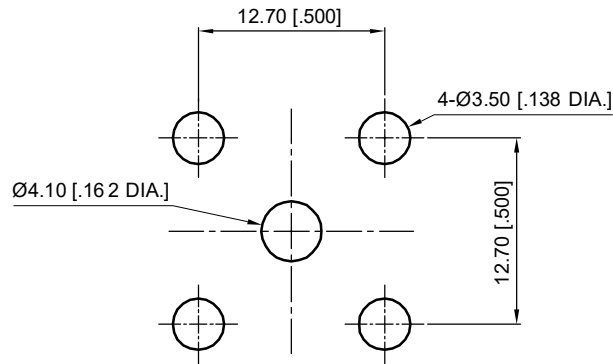
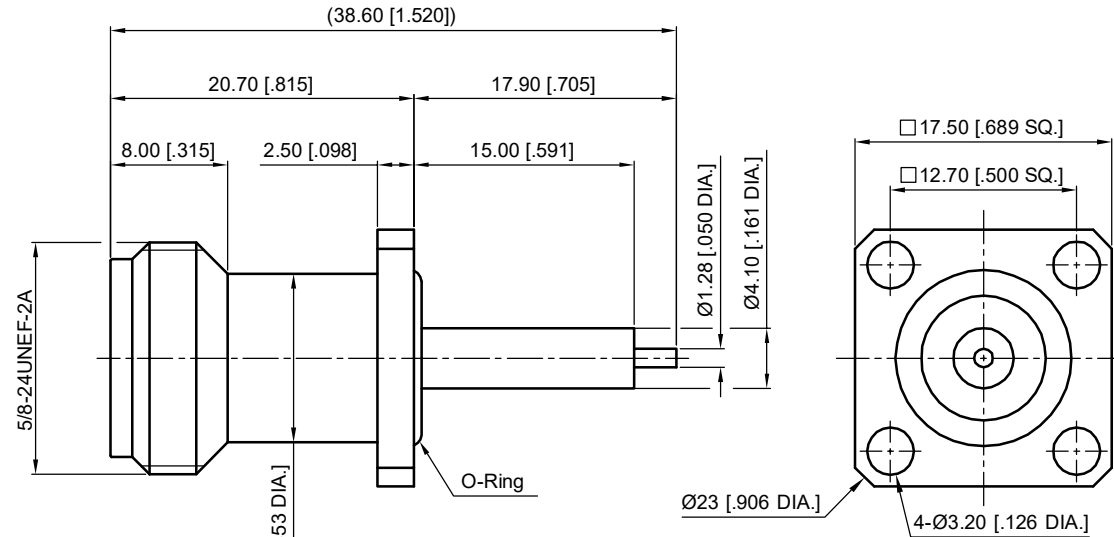
Material & Finish

Body	Brass, Albaloyl-plated (Cu-Sn-Zn)
Pin Contact	Phosphor Bronze, Silver-plated
Insulator	PTFE
O-Ring	Silicone Rubber

Interface Standards

N	IEC-60169
---	-----------

REVISIONS				
REV	DESCRIPTION OF REVISION	ECN No.	DATE	APPROVED
A	INITIAL RELEASE	—	04/24/2018	M. Dong



Recommend Mounting Hole

NOTES:

- ALL SPECIFICATIONS ARE SUBJECT TO CHANGE WITHOUT NOTICE AT ANY TIME
- UNLESS OTHERWISE SPECIFIED ALL DIMENSIONS ARE NOMINAL.

UNLESS OTHERWISE SPECIFIED, DIMENSIONS ARE IN MILLIMETERS (INCHES).
UNLESS OTHERWISE SPECIFIED DIMENSIONAL TOLERANCES ARE:

.XX	±0.13 [.005"]
.X	±0.20 [.008"]
X	±0.50 [.019"]

ANGULAR TOLERANCES ARE: ALL= ±1°

DO NOT SCALE DRAWING

PROJECTION:



DRAWN:	L. Ma	04/24/2018
CHECKED:	J. Zhu	04/24/2018
APPROVED:	M. Dong	04/24/2018

TITLE:
N Straight Female, 4 Hole Flange with Coaxial End



Cmppter Electronics Co., Ltd. www.cmppter.com

PART No.:
50-02-8F7-208

SIZE: A4	SCALE: 2:1	SHEET: 1/1	REV: A
-------------	---------------	---------------	-----------