

REV	DESCRIPTION OF REVISION	ECN No.	BY	DATE	APPROVED
A	INITIAL RELEASE	—	H. Xiao	09/11/11	M. Dong

### TECHNICAL DATA

#### Electrical data

Impedance	50 Ω
Frequency range	0~18 GHz
VSWR	1.15:1
Contact resistance	
-centre contact	≤1mΩ
-outer contact	≤0.2mΩ
Insulation resistance	≥5000MΩ

#### Mechanical data

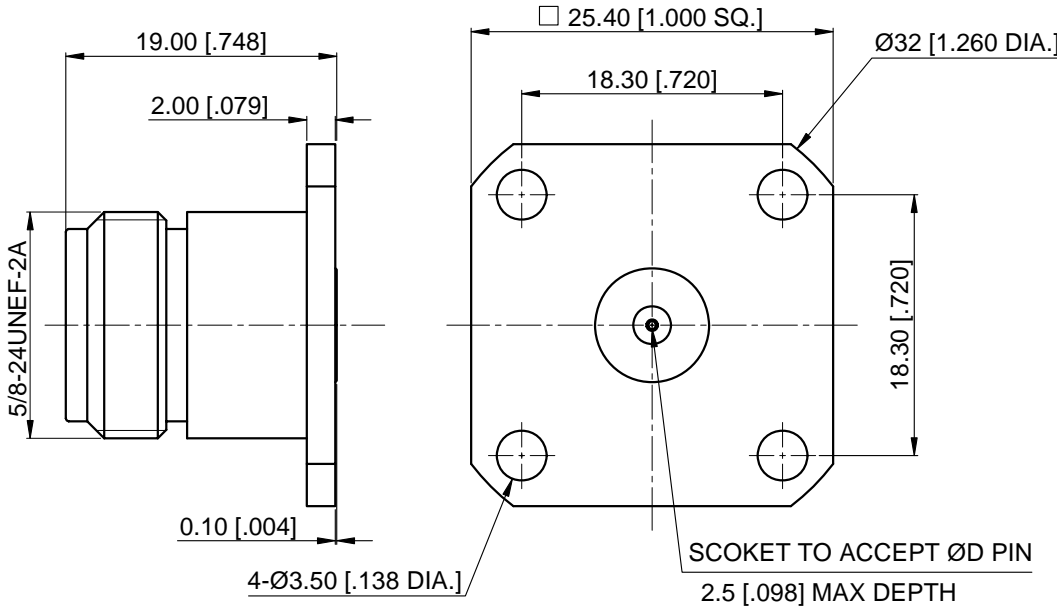
Temperature range	-55 °C ~ +165 °C
Durability (matings)	>500

#### Material data

Body	Stainless Steel (SU303), Passivated
Pin Contact	Beryllium Copper Alloy, Gold-plated
Insulator	PEI & PTFE

#### Interface Standards


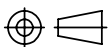
N	MIL-STD-348A
---	--------------



Part Number	ØD PIN
50-02-9F5-058A	0.46 [0.018]
50-02-9F5-058B	0.51 [0.020]
50-02-9F5-058C	0.91 [0.036]

NOTES:

- ALL SPECIFICATIONS ARE SUBJECT TO CHANGE WITHOUT NOTICE AT ANY TIME
- CUSTOMER OUTLINE DRAWING FOR REFERENCE ONLY

DRAWN: H. Xiao 09/11/11	TITLE:	 <a href="http://www.cmppter.com">www.cmppter.com</a>
ENGINEER: J. Zhu 09/11/11	N Straight Female, 4 Hole Flange, Accept Pin	
APPROVED: M. Dong 09/11/11		
TOLERANCE UNLESS OTHERWISE SPECIFIED		 DIMENSIONS IN MILLIMETERS (mm)
X ±0.50 [.019"] .X ±0.20 [.008"] .XX ±0.10 [.004"] ANGLES ±1°	PART No.: 50-02-9F5-058	SIZE: A4 SCALE: 2:1 SHEET: 1/1 REV: A