

REV	DESCRIPTION OF REVISION	ECN No.	BY	DATE	APPROVED
A	INITIAL RELEASE	—	L. Ma	02/18/07	M. Dong

TECHNICAL DATA

Electrical data

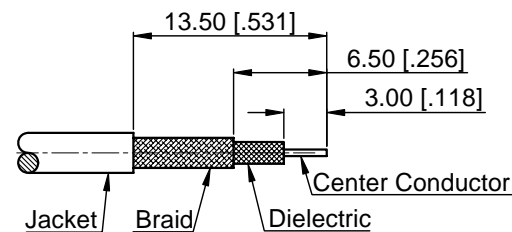
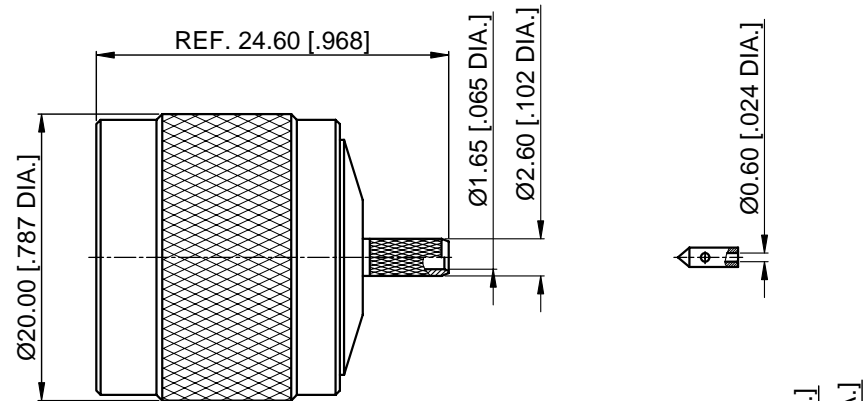
Impedance	50 Ω
Frequency range	0~6 GHz
Insulation resistance	≥5×10 ³ MΩ
Withstanding voltage	1000 V

Mechanical data

Temperature range	-65 °C ~ +165 °C
Durability (matings)	>500

Material data

Body	Brass,Nickel-plated
Pin Contact	Brass,Gold-plated
Coupling Nut	Brass,Nickel-plated
Crimp Ferrule	Copper, Nickel-plated
Insulator	PTFE
Gasket	Silicone Rubber


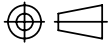


Cable Stripping Dimensions

1. CRIMP FERRULE
HEX.CRIMP TOOL SIZE: 3.25 [.128]

NOTES:

- ALL SPECIFICATIONS ARE SUBJECT TO CHANGE WITHOUT NOTICE AT ANY TIME
- CUSTOMER OUTLINE DRAWING FOR REFERENCE ONLY

DRAWN: L. Ma 02/18/07	TITLE:	 www.cmp ter.com			
ENGINEER: J. Zhu 02/18/07	N Straight Male Crimp for LMR100/RG174/RG316 Cable				
APPROVED: M. Dong 02/18/07		 DIMENSIONS IN MILLIMETERS (mm)			
TOLERANCE UNLESS OTHERWISE SPECIFIED	PART No.: 50-03-1M00-004			SIZE: A4	SCALE: 2:1
X ±0.50 [.019"]					
.X ±0.20 [.008"]					
.XX ±0.10 [.004"]					
ANGLES ±1°					