

TECHNICAL DATA

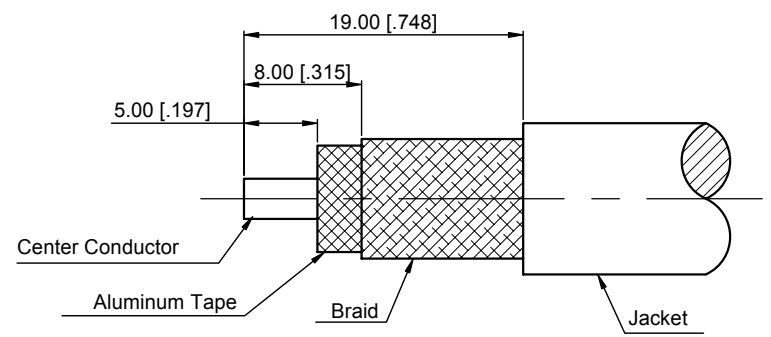
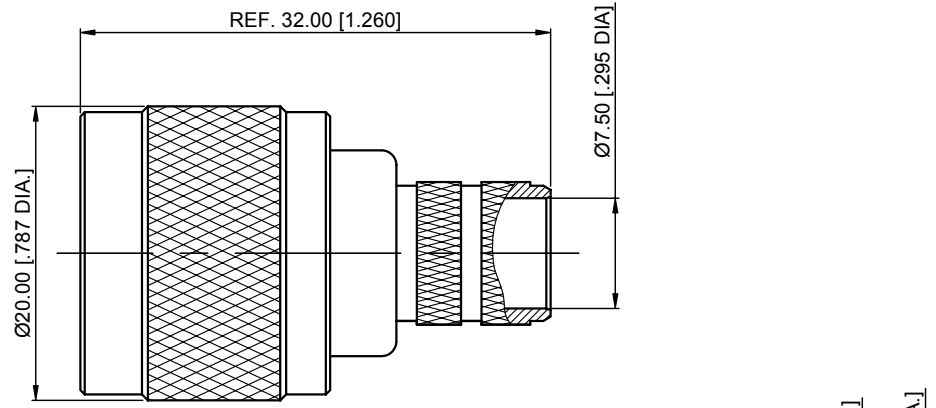
Electrical
 Impedance 50 Ω
 Frequency range 0~3 GHz
 Insulation resistance ≥5x10³ MΩ
 Withstanding voltage 2500 V

Mechanical & Environmental
 Durability (matings) >500
 Temperature range -55 °C ~ +165 °C
 RoHS Compliant Yes

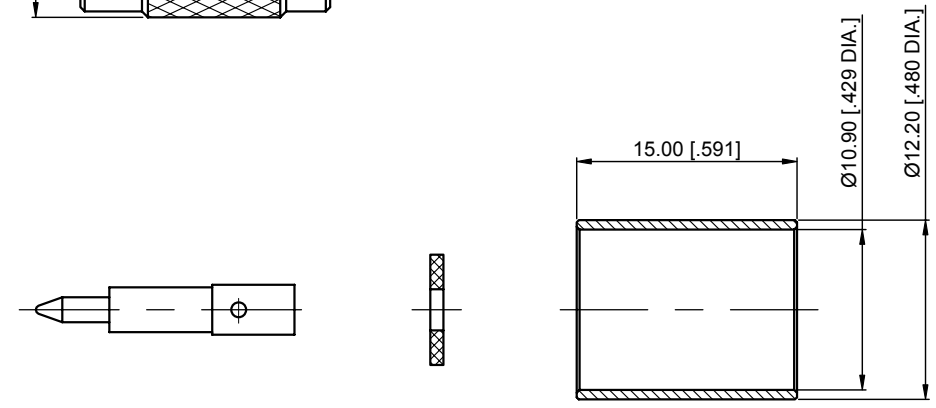
Material & Finish
 Body Brass, Nickel-plated
 Pin Contact Brass, Gold-plated
 Coupling Nut Brass, Nickel-plated
 Crimp Ferrule Copper, Nickel-plated
 Insulator PTFE
 Gasket Silicone Rubber

Interface Standards
 N IEC-60169

REVISIONS				
REV	DESCRIPTION OF REVISION	ECN No.	DATE	APPROVED
A	INITIAL RELEASE	—	02/15/2007	M. Dong
B	STRUCTURE CHANGED	—	03/08/2010	M. Dong



Cable Stripping Dimensions



1. CRIMP FERRULE
 HEX. CRIMP TOOL SIZE : 10.9 [.429]

NOTES:
 1. ALL SPECIFICATIONS ARE SUBJECT TO CHANGE WITHOUT NOTICE AT ANY TIME
 2. UNLESS OTHERWISE SPECIFIED ALL DIMENSIONS ARE NOMINAL.

UNLESS OTHERWISE SPECIFIED, DIMENSIONS ARE IN MILLIMETERS [INCHES].
 UNLESS OTHERWISE SPECIFIED DIMENSIONAL TOLERANCES ARE:

.XX	±0.13 [005"]
.X	±0.20 [008"]
X	±0.50 [019"]

ANGULAR TOLERANCES ARE: ALL=±1°

DO NOT SCALE DRAWING

PROJECTION:

DRAWN:	L. Ma	03/08/2010
CHECKED:	J. Zhu	03/08/2010
APPROVED:	M. Dong	03/08/2010

TITLE:
N Straight Male Crimp for LMR400 Cable

CMPPTER[®]
 Cmptter Electronics Co., Ltd. www.cmptter.com

PART No.:
50-03-1M01-006

SIZE: A4	SCALE: 2.5:1	SHEET: 1/1	REV: B
----------	--------------	------------	--------