

REV	DESCRIPTION OF REVISION	ECN No.	BY	DATE	APPROVED
A	INITIAL RELEASE	—	L. Ma	02/14/07	M. Dong
B	STRUCTURE CHANGED	—	L. Ma	07/15/10	M. Dong

TECHNICAL DATA

Electrical data

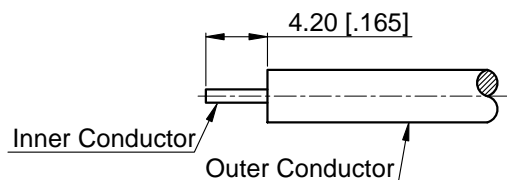
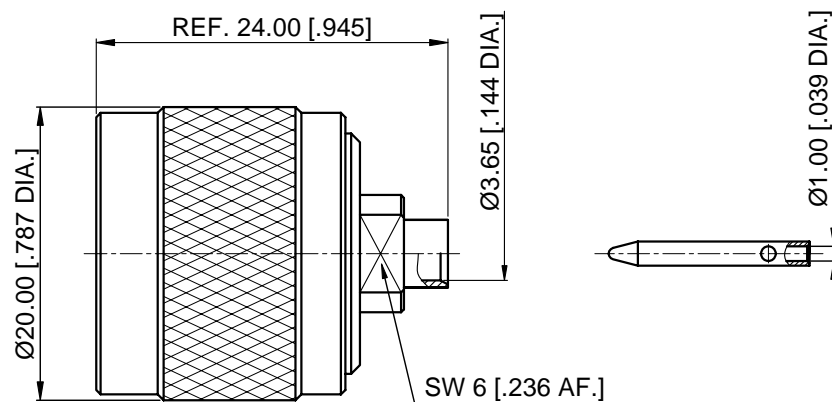
Impedance	50 Ω
Frequency range	0~18 GHz
Insulation resistance	$\geq 5 \times 10^3$ M Ω
Working voltage	1000 Vrms

Mechanical data

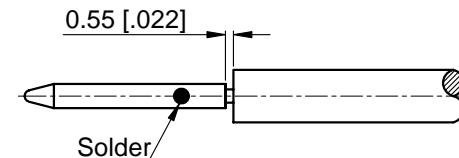
Temperature range	-65 °C ~ +165 °C
Durability (matings)	>500

Material data

Body	Brass, Albaloy-plated
Pin Contact	Brass, Gold-plated
Coupling Nut	Brass, Nickel-plated
Insulator	PTFE
Gasket	Silicone Rubber




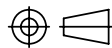
CABLE STRIPPING DIMENSION



PIN CONTACT SOLDERING DIMENSION

NOTES:

- ALL SPECIFICATIONS ARE SUBJECT TO CHANGE WITHOUT NOTICE AT ANY TIME
- CUSTOMER OUTLINE DRAWING FOR REFERENCE ONLY

DRAWN: L. Ma 07/15/10	TITLE:	 www.cmppter.com			
ENGINEER: J. Zhu 07/15/10	N Straight Male Solder for RG402/.141 Cable				
APPROVED: M. Dong 07/15/10		 DIMENSIONS IN MILLIMETERS (mm)			
TOLERANCE UNLESS OTHERWISE SPECIFIED	PART No.: 50-03-2M06-001			SIZE: A4	SCALE: 2:1

X	±0.50	[.019"]
.X	±0.20	[.008"]
.XX	±0.10	[.004"]
ANGLES	±1°	