

A B C D E F G H I J

REVISIONS				
REV	DESCRIPTION OF REVISION	ECN No.	DATE	APPROVED
A	INITIAL RELEASE	—	03/24/2017	M. Dong

TECHNICAL DATA

Electrical

Impedance 75 Ω
 Frequency range 0~3 GHz
 Insulation resistance ≥5x10³ MΩ
 Withstanding voltage 1000 V

Mechanical & Environmental

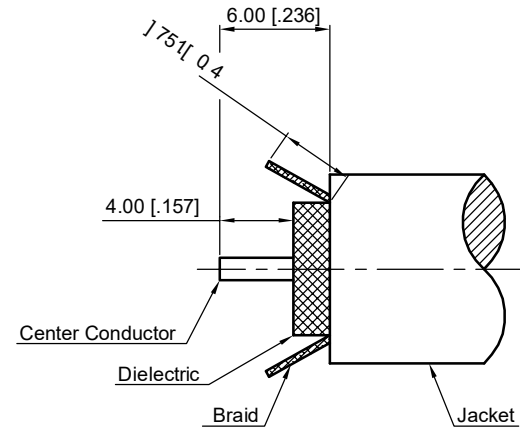
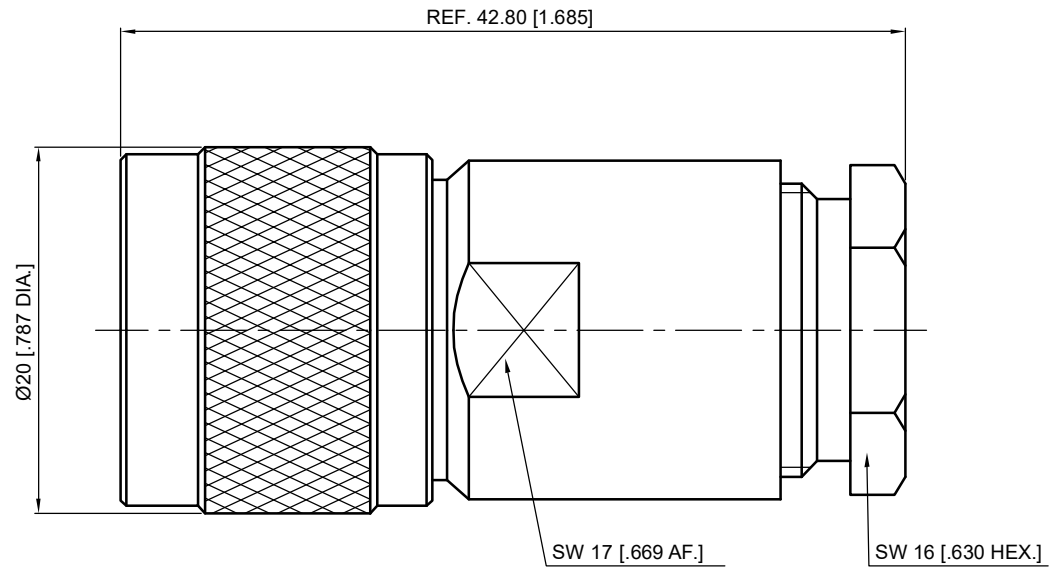
Durability (matings) >500
 Temperature range -55 °C ~ +165 °C
 RoHS Compliant Yes

Material & Finish

Body Brass, Nickel-plated
 Pin Contact Brass, Nickel-plated
 Coupling Nut Brass, Nickel-plated
 Insulator PTFE
 Gasket Silicone Rubber

Interface Standards

N IEC-60169



Cable Stripping Dimensions

- NOTES:
- ALL SPECIFICATIONS ARE SUBJECT TO CHANGE WITHOUT NOTICE AT ANY TIME
 - UNLESS OTHERWISE SPECIFIED ALL DIMENSIONS ARE NOMINAL.

UNLESS OTHERWISE SPECIFIED, DIMENSIONS ARE IN MILLIMETERS (INCHES).
 UNLESS OTHERWISE SPECIFIED DIMENSIONAL TOLERANCES ARE:

.XX	±0.13 [.005]
.X	±0.20 [.008]
X	±0.50 [.019]

ANGULAR TOLERANCES ARE: ALL= ±1°

DO NOT SCALE DRAWING

PROJECTION:

DRAWN:	L. Ma	03/24/2017
CHECKED:	J. Zhu	03/24/2017
APPROVED:	M. Dong	03/24/2017

TITLE:
75 Ohm N Straight Male Clamp for RG11 Cable

CMP TER®
 Cmpter Electronics Co., Ltd. www.cmpter.com

PART No.:
50-03-4M07-184

SIZE: A4	SCALE: 2.5:1	SHEET: 1/1	REV: A
----------	--------------	------------	--------

A B C D E F G H I J