

REVISIONS

REV	DESCRIPTION OF REVISION	ECN No.	DATE	APPROVED
A	INITIAL RELEASE	—	06/01/2016	M. Dong

TECHNICAL DATA

Electrical

Impedance 50 Ω
 Frequency range 0~3 GHz
 Insulation resistance ≥5x10³ MΩ
 Withstanding voltage 2500 V

Mechanical & Environmental

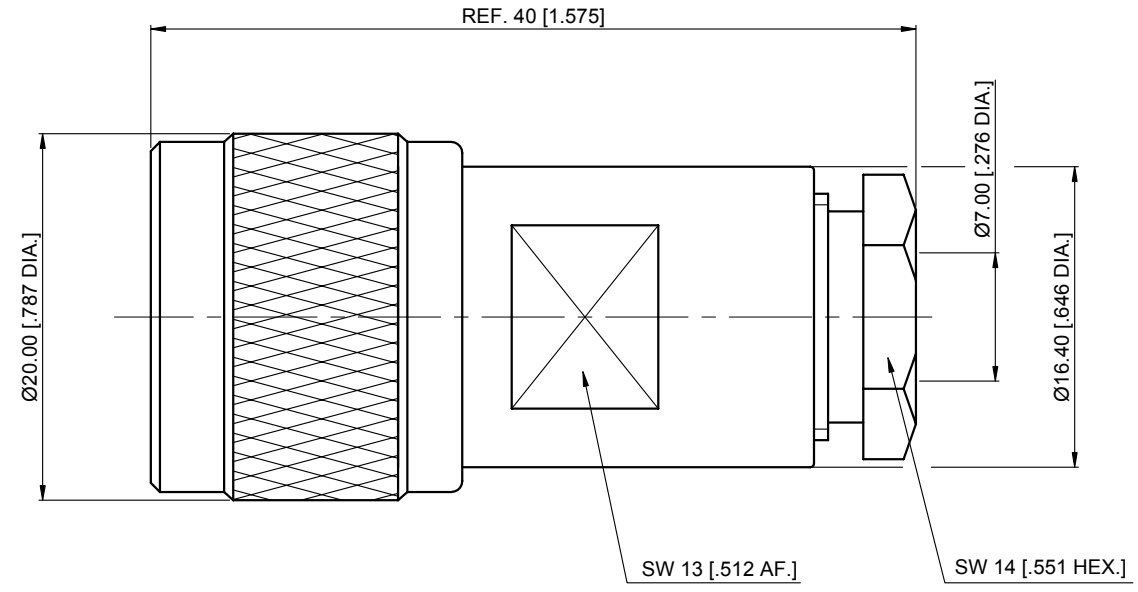
Durability (matings) >500
 Temperature range -55 °C ~ +165 °C
 RoHS Compliant Yes

Material & Finish

Body Brass, Nickel-plated
 Pin Contact Brass, Gold-plated
 Coupling Nut Brass, Nickel-plated
 Fastening Nut Brass, Nickel-plated
 Insulator PTFE
 Gasket Silicone Rubber

Interface Standards

N IEC-60169



UNLESS OTHERWISE SPECIFIED, DIMENSIONS ARE IN MILLIMETERS [INCHES].
 UNLESS OTHERWISE SPECIFIED DIMENSIONAL TOLERANCES ARE:

.XX	±0.13 [005"]
.X	±0.20 [008"]
X	±0.50 [019"]

ANGULAR TOLERANCES ARE: ALL=±1°

DO NOT SCALE DRAWING

PROJECTION:

DRAWN:	L. Ma	06/01/2016
CHECKED:	J. Zhu	06/01/2016
APPROVED:	M. Dong	06/01/2016

TITLE:
N Straight Male Clamp for LMR240 Cable

CMP TER[®]
 Cmptter Electronics Co., Ltd. www.cmptter.com

PART No.:
50-03-4M10-161

SIZE: A4	SCALE: 2.5:1	SHEET: 1/1	REV: A
----------	--------------	------------	--------

- NOTES:
- ALL SPECIFICATIONS ARE SUBJECT TO CHANGE WITHOUT NOTICE AT ANY TIME
 - UNLESS OTHERWISE SPECIFIED ALL DIMENSIONS ARE NOMINAL.