

# TECHNICAL DATA

## Electrical

Impedance	50 Ω
Frequency range	0~3 GHz
Insulation resistance	≥5x10 <sup>3</sup> MΩ
Withstanding voltage	2500 V

## Mechanical & Environmental

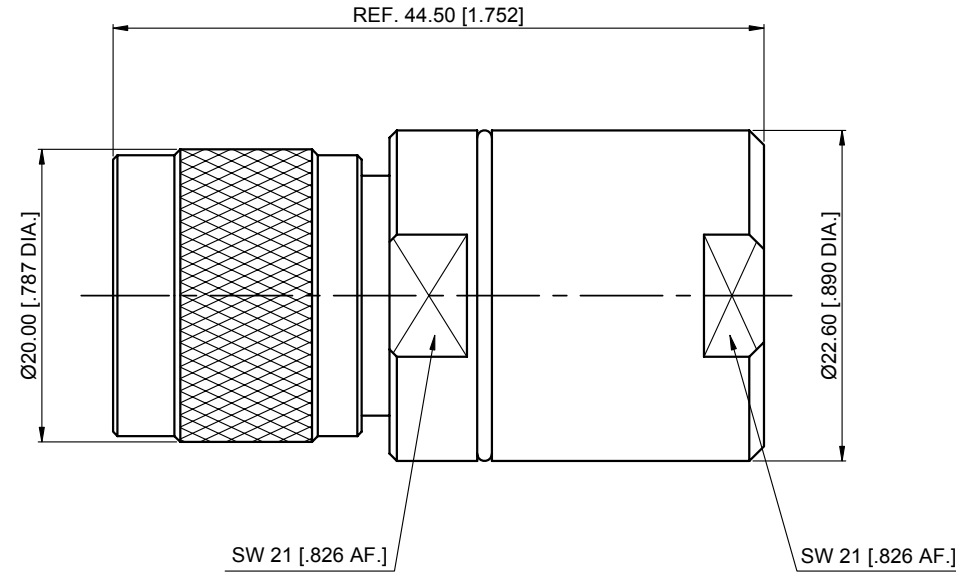
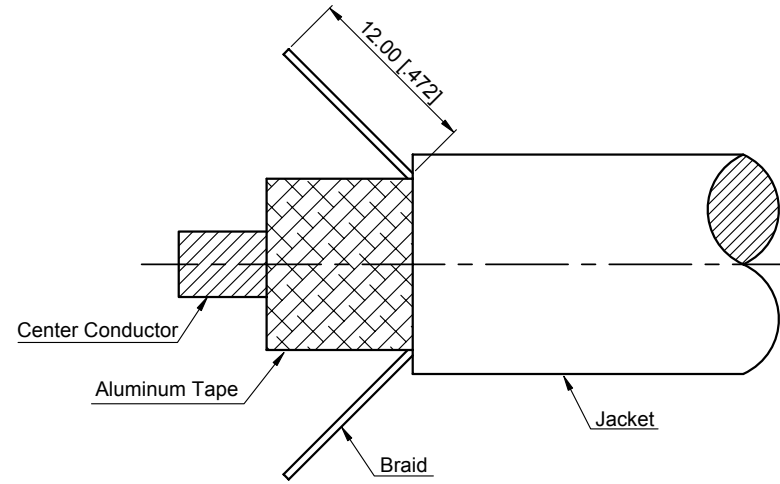
Durability (matings)	>500
Temperature range	-55 °C ~ +165 °C
RoHS Compliant	Yes

## Material & Finish

Body	Brass, Nickel-plated
Pin Contact	Brass, Gold-plated
Coupling Nut	Brass, Nickel-plated
Fastening Nut	Brass, Nickel-plated
Insulator	PTFE
Gasket	Silicone Rubber

## Interface Standards

N	IEC-60169
---	-----------



Note: Centre contact plugged-in.

REVISIONS				
REV	DESCRIPTION OF REVISION	ECN No.	DATE	APPROVED
A	INITIAL RELEASE	—	05/10/2015	M. Dong

UNLESS OTHERWISE SPECIFIED, DIMENSIONS ARE IN MILLIMETERS [INCHES]. UNLESS OTHERWISE SPECIFIED DIMENSIONAL TOLERANCES ARE: .XX ±0.13 [005"] .X ±0.20 [008"] X ±0.50 [019"] ANGULAR TOLERANCES ARE: ALL=±1°	DRAWN: L. Ma 05/10/2015
DO NOT SCALE DRAWING	CHECKED: J. Zhu 05/10/2015
PROJECTION:	APPROVED: M. Dong 05/10/2015

TITLE: <b>N Straight Male Clamp for LMR600 Cable (Non-Soldered Type)</b>
---

<b>CMPPTER</b> <sup>®</sup>			
Cmptter Electronics Co., Ltd. <a href="http://www.cmptter.com">www.cmptter.com</a>			
PART No.: <b>50-03-4M19-143</b>			
SIZE: A4	SCALE: 2:1	SHEET: 1/1	REV: A

- NOTES:
- ALL SPECIFICATIONS ARE SUBJECT TO CHANGE WITHOUT NOTICE AT ANY TIME
  - UNLESS OTHERWISE SPECIFIED ALL DIMENSIONS ARE NOMINAL.