

TECHNICAL DATA

Electrical

Impedance 50 Ω
 Frequency range 0~6 GHz
 Insulation resistance $\geq 5 \times 10^3$ MΩ
 Withstanding voltage 1000 V

Mechanical & Environmental

Durability (matings) >500
 Temperature range -55 °C ~ +165 °C
 RoHS Compliant Yes

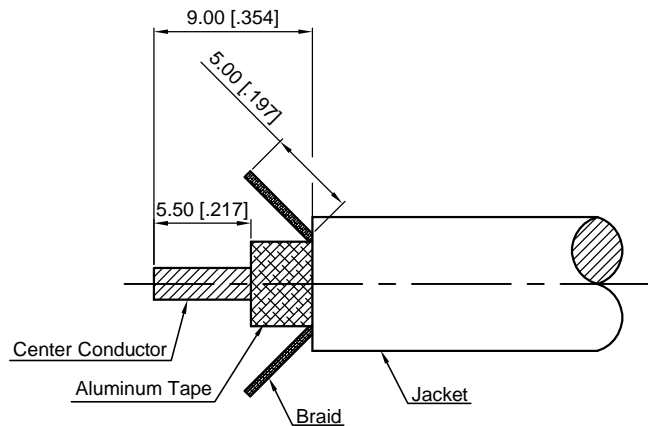
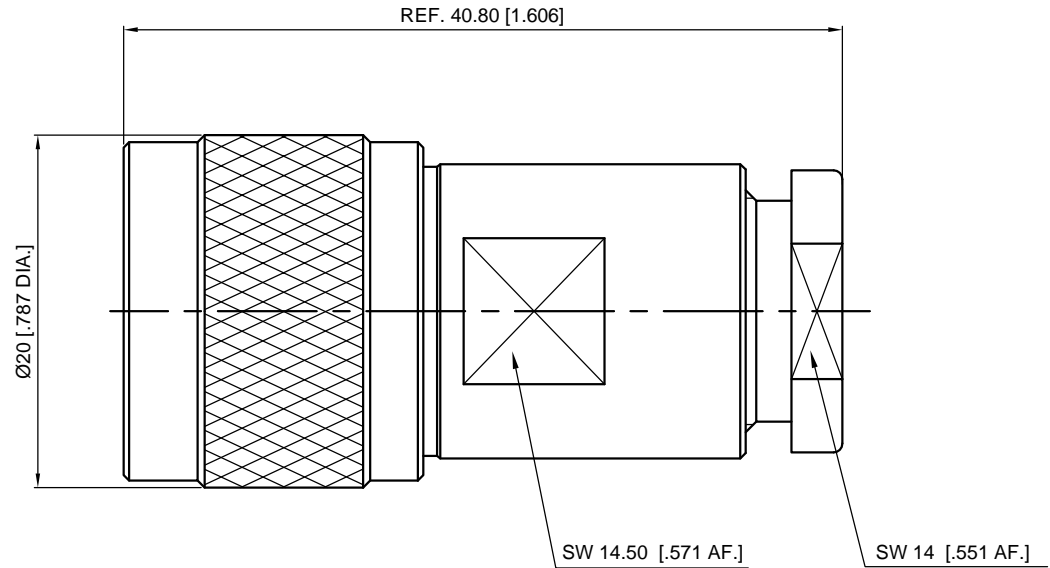
Material & Finish

Body Stainless Steel (SU303), Passivated
 Pin Contact Brass, Gold-plated
 Coupling Nut Stainless Steel (SU303), Passivated
 Insulator PTFE
 Gasket Silicone Rubber

Interface Standards

N IEC-60169

REVISIONS				
REV	DESCRIPTION OF REVISION	ECN No.	DATE	APPROVED
A	INITIAL RELEASE	—	03/28/2020	M. Dong



Recommend Cable Stripping Dimensions

- NOTES:
- ALL SPECIFICATIONS ARE SUBJECT TO CHANGE WITHOUT NOTICE AT ANY TIME
 - UNLESS OTHERWISE SPECIFIED ALL DIMENSIONS ARE NOMINAL.

UNLESS OTHERWISE SPECIFIED, DIMENSIONS ARE IN MILLIMETERS (INCHES). UNLESS OTHERWISE SPECIFIED DIMENSIONAL TOLERANCES ARE: .XX ±0.13 [.005"] X ±0.20 [.008"] X ±0.50 [.019"]	DRAWN: L. Ma 03/28/2020
ANGULAR TOLERANCES ARE: ALL±1°	CHECKED: J. Zhu 03/28/2020
DO NOT SCALE DRAWING	APPROVED: M. Dong 03/28/2020
PROJECTION:	TITLE: N Straight Male Clamp for LMR300 Cable

DRAWN: L. Ma 03/28/2020	
CHECKED: J. Zhu 03/28/2020	
APPROVED: M. Dong 03/28/2020	
TITLE: N Straight Male Clamp for LMR300 Cable	

CMPPTER®
 Cmppter Electronics Co., Ltd. www.cmppter.com

PART No.: **50-03-4M20-263**

SIZE: A4	SCALE: 2.5:1	SHEET: 1/1	REV: A
----------	--------------	------------	--------