

TECHNICAL DATA

Electrical

Impedance	50 Ω
Frequency range	0~6 GHz
Insulation resistance	≥5x10 ³ MΩ
Withstanding voltage	1000 V

Mechanical & Environmental

Durability (matings)	>500
Temperature range	-55 °C ~ +165 °C
RoHS Compliant	Yes

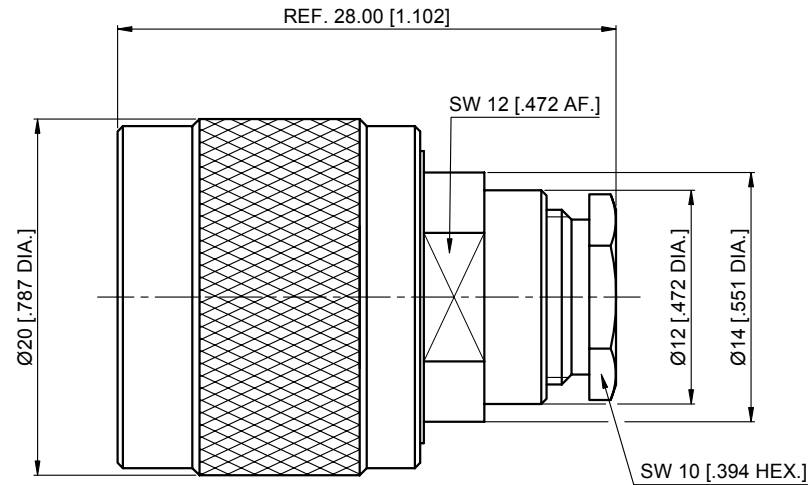
Material & Finish

Body	Brass, Nickel-plated
Pin Contact	Brass, Nickel-plated
Coupling Nut	Brass, Nickel-plated
Insulator	PTFE
Gasket	Silicone Rubber

Interface Standards

N	IEC-60169
---	-----------

REVISIONS				
REV	DESCRIPTION OF REVISION	ECN No.	DATE	APPROVED
A	INITIAL RELEASE	—	10/18/2013	M. Dong



NOTES:

- ALL SPECIFICATIONS ARE SUBJECT TO CHANGE WITHOUT NOTICE AT ANY TIME
- UNLESS OTHERWISE SPECIFIED ALL DIMENSIONS ARE NOMINAL.

UNLESS OTHERWISE SPECIFIED, DIMENSIONS ARE IN MILLIMETERS [INCHES]. UNLESS OTHERWISE SPECIFIED DIMENSIONAL TOLERANCES ARE: .XX ±0.13 [.005"] .X ±0.20 [.008"] X ±0.50 [.019"] ANGULAR TOLERANCES ARE: ALL±1°	DRAWN: L. Ma 10/18/2013
DO NOT SCALE DRAWING	CHECKED: J. Zhu 10/18/2013
PROJECTION:	APPROVED: M. Dong 10/18/2013

TITLE: N Straight Male Clamp for RG142/RG223/RG58/LMR195 Cable
--

CMP TER [®]			
Cmpter Electronics Co., Ltd. www.cmpter.com			
PART No.: 50-03-4M21-106			
SIZE: A4	SCALE: 2.5:1	SHEET: 1/1	REV: A