

REVISIONS				
REV	DESCRIPTION OF REVISION	ECN No.	DATE	APPROVED
A	INITIAL RELEASE	—	03/24/2014	M. Dong

TECHNICAL DATA

Electrical

Impedance	75 Ω
Frequency range	0~3 GHz
Insulation resistance	≥5x10 ³ MΩ
Withstanding voltage	1000 V

Mechanical & Environmental

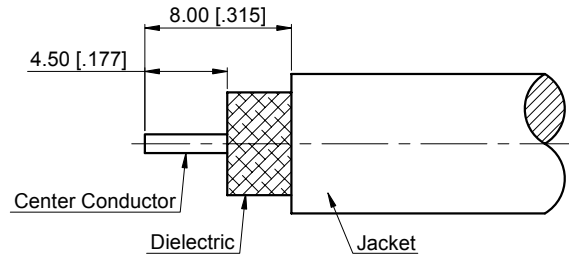
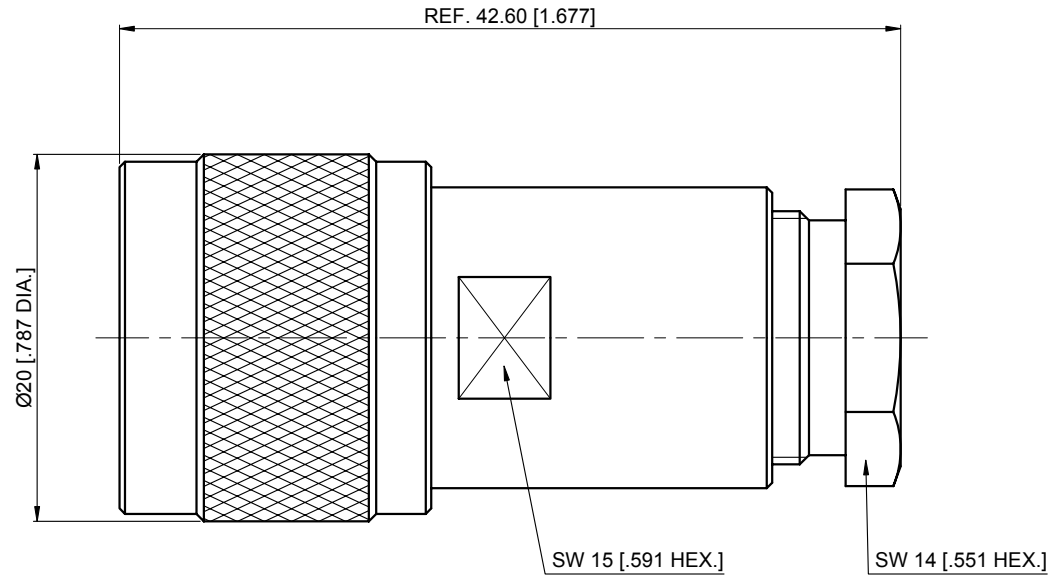
Durability (matings)	>500
Temperature range	-55 °C ~ +165 °C
RoHS Compliant	Yes

Material & Finish

Body	Brass, Nickel-plated
Pin Contact	Brass, Nickel-plated
Coupling Nut	Brass, Nickel-plated
Insulator	PTFE
Gasket	Silicone Rubber

Interface Standards

N	IEC-60169
---	-----------



Cable Stripping Dimensions

NOTES:

- ALL SPECIFICATIONS ARE SUBJECT TO CHANGE WITHOUT NOTICE AT ANY TIME
- UNLESS OTHERWISE SPECIFIED ALL DIMENSIONS ARE NOMINAL.

UNLESS OTHERWISE SPECIFIED, DIMENSIONS ARE IN MILLIMETERS [INCHES]. UNLESS OTHERWISE SPECIFIED DIMENSIONAL TOLERANCES ARE: .XX ±0.13 [.005"] .X ±0.20 [.008"] X ±0.50 [.019"] ANGULAR TOLERANCES ARE: ALL±1° DO NOT SCALE DRAWING PROJECTION:	DRAWN: L. Ma 03/24/2014
	CHECKED: J. Zhu 03/24/2014
	APPROVED: M. Dong 03/24/2014
	TITLE: 75 Ohm N Straight Male Clamp for RG6 Cable

CMPPTER[®]
Cmptter Electronics Co., Ltd. www.cmptter.com

PART No.:
50-03-4M41-109

SIZE: A4	SCALE: 2.5:1	SHEET: 1/1	REV: A
-------------	-----------------	---------------	-----------