

REVISIONS				
REV	DESCRIPTION OF REVISION	ECN No.	DATE	APPROVED
A	INITIAL RELEASE	—	01/10/2014	M. Dong

### TECHNICAL DATA

#### Electrical

Impedance 75 Ω  
 Frequency range 0~1 GHz  
 Insulation resistance  $\geq 5 \times 10^3$  MΩ  
 Withstanding voltage 2500 V

#### Mechanical & Environmental

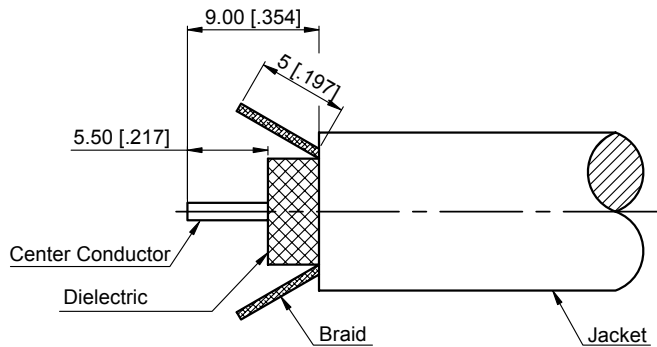
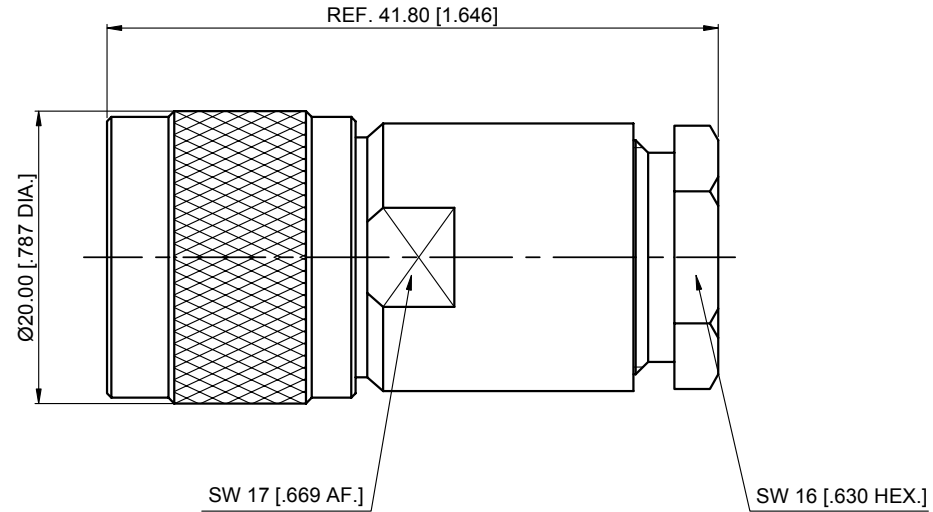
Durability (matings) >500  
 Temperature range -55 °C ~ +165 °C  
 RoHS Compliant Yes

#### Material & Finish

Body Brass, Nickel-plated  
 Pin Contact Brass, Gold-plated  
 Coupling Nut Brass, Nickel-plated  
 Fastening Nut Brass, Nickel-plated  
 Insulator PTFE  
 Gasket Silicone Rubber



#### Interface Standards

N IEC-60169



Cable Stripping Dimensions

- NOTES:
- ALL SPECIFICATIONS ARE SUBJECT TO CHANGE WITHOUT NOTICE AT ANY TIME
  - UNLESS OTHERWISE SPECIFIED ALL DIMENSIONS ARE NOMINAL.

UNLESS OTHERWISE SPECIFIED, DIMENSIONS ARE IN MILLIMETERS [INCHES]. UNLESS OTHERWISE SPECIFIED DIMENSIONAL TOLERANCES ARE: XX $\pm 0.13$ [.005"] X $\pm 0.20$ [.008"] x $\pm 0.50$ [.019"] ANGULAR TOLERANCES ARE: ALL $\pm 1^\circ$	DRAWN: L. Ma 01/10/2014	 Cmppter Electronics Co., Ltd. <a href="http://www.cmppter.com">www.cmppter.com</a>
DO NOT SCALE DRAWING	CHECKED: J. Zhu 01/10/2014	
PROJECTION: 	APPROVED: M. Dong 01/10/2014	

TITLE: <b>75 Ohm N Straight Male Clamp for RG216 Cable</b>
---

PART No.: <b>50-03-4M81-129</b>			
SIZE: A4	SCALE: 2:1	SHEET: 1/1	REV: A