

TECHNICAL DATA

Electrical

Impedance 50 Ω
 Frequency range 0~6 GHz
 Working voltage 1000 Vrms
 Insulation resistance ≥5000MΩ

Mechanical & Environmental

Durability (matings) >500
 Temperature range -55 °C ~ +165 °C
 RoHS Compliant Yes

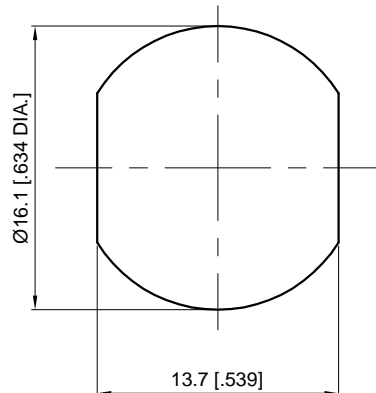
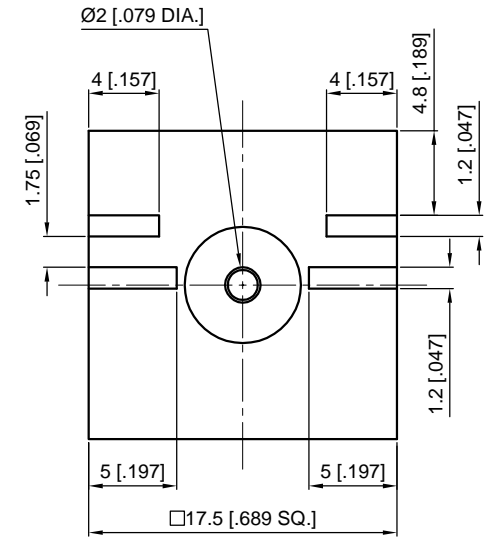
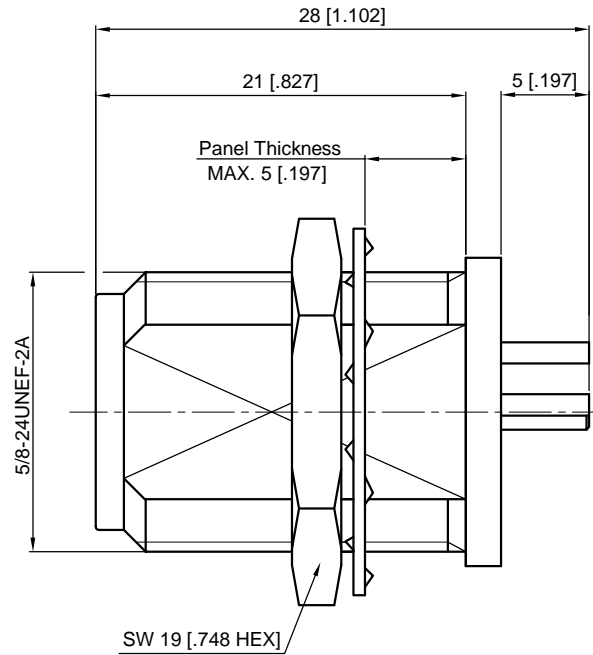
Material & Finish

Body Brass, Nickel-plated
 Pin Contact Beryllium Copper Alloy, Gold-plated
 Insulator PTFE

Interface Standards

N IEC-60169

REVISIONS				
REV	DESCRIPTION OF REVISION	ECN No.	DATE	APPROVED
A	INITIAL RELEASE	---	01/30/2018	M. Dong
B	DIMENSIONS CHANGED	---	02/06/2018	M. Dong



Recommend Mounting Hole

NOTES:

- ALL SPECIFICATIONS ARE SUBJECT TO CHANGE WITHOUT NOTICE AT ANY TIME
- UNLESS OTHERWISE SPECIFIED ALL DIMENSIONS ARE NOMINAL.

UNLESS OTHERWISE SPECIFIED, DIMENSIONS ARE IN MILLIMETERS (INCHES). UNLESS OTHERWISE SPECIFIED DIMENSIONAL TOLERANCES ARE: .XX ±0.13 [.005"] X ±0.20 [.008"] X ±0.50 [.019"]	DRAWN: L. Ma 02/06/2018
ANGULAR TOLERANCES ARE: ALL±1°	CHECKED: J. Zhu 02/06/2018
DO NOT SCALE DRAWING	APPROVED: M. Dong 02/06/2018
PROJECTION:	TITLE: N Straight Bulkhead Female, Edge Mount for PCB

DRAWN: L. Ma 02/06/2018		
CHECKED: J. Zhu 02/06/2018		
APPROVED: M. Dong 02/06/2018		
TITLE: N Straight Bulkhead Female, Edge Mount for PCB		

CMPPTER®
 Cmppter Electronics Co., Ltd. www.cmppter.com

PART No.: **50-03-5B2-199**

SIZE: A4	SCALE: 2.5:1	SHEET: 1/1	REV: B
----------	--------------	------------	--------