

TECHNICAL DATA

Electrical

Impedance 50 Ω
 Frequency range 0~10 GHz
 Withstanding voltage 1000 V
 Insulation resistance ≥5000MΩ

Mechanical & Environmental

Durability (matings) >500
 Temperature range -55 °C ~ +165 °C
 RoHS Compliant Yes

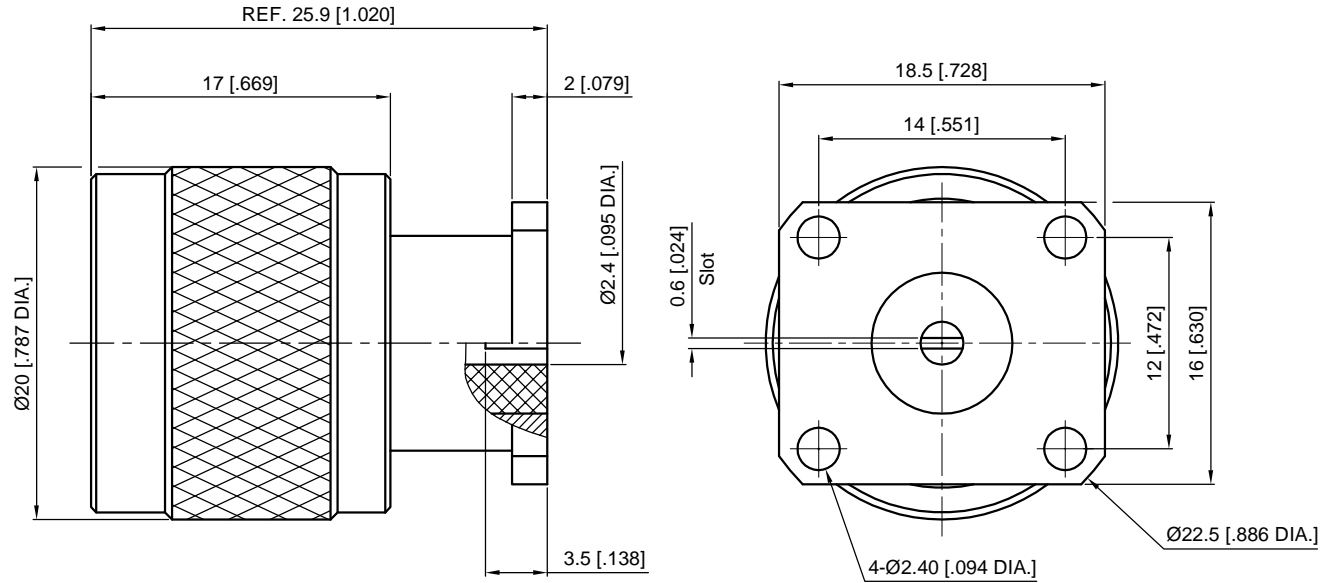
Material & Finish

Body Brass, Nickel-plated
 Coupling Nut Brass, Nickel-plated
 Pin Contact Brass, Gold-plated
 Insulator PTFE
 Gasket Silicone Rubber

Interface Standards

N IEC-60169-16

REVISIONS				
REV	DESCRIPTION OF REVISION	ECN No.	DATE	APPROVED
A	INITIAL RELEASE	—	04/18/2020	M. Dong



- NOTES:
- ALL SPECIFICATIONS ARE SUBJECT TO CHANGE WITHOUT NOTICE AT ANY TIME
 - UNLESS OTHERWISE SPECIFIED ALL DIMENSIONS ARE NOMINAL.

UNLESS OTHERWISE SPECIFIED, DIMENSIONS ARE IN MILLIMETERS (INCHES). UNLESS OTHERWISE SPECIFIED DIMENSIONAL TOLERANCES ARE:	
.XX	±0.13 [.005"]
X	±0.20 [.008"]
X	±0.50 [.019"]
ANGULAR TOLERANCES ARE: ALL= ±1°	
DO NOT SCALE DRAWING	
PROJECTION:	

DRAWN:	L. Ma	04/18/2020
CHECKED:	J. Zhu	04/18/2020
APPROVED:	M. Dong	04/18/2020

TITLE:
**N Straight Male,
 4 Hole Flange with Slot**



Cmptter Electronics Co., Ltd. www.cmptter.com

PART No.:			
50-03-8F3-268			
SIZE:	SCALE:	SHEET:	REV:
A4	4:1	1/1	A