

TECHNICAL DATA

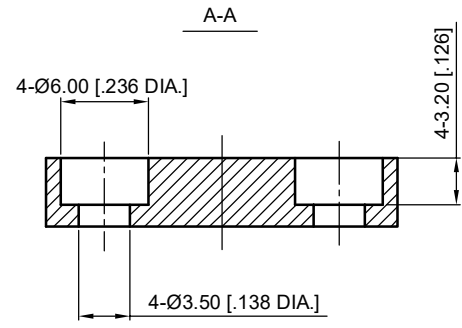
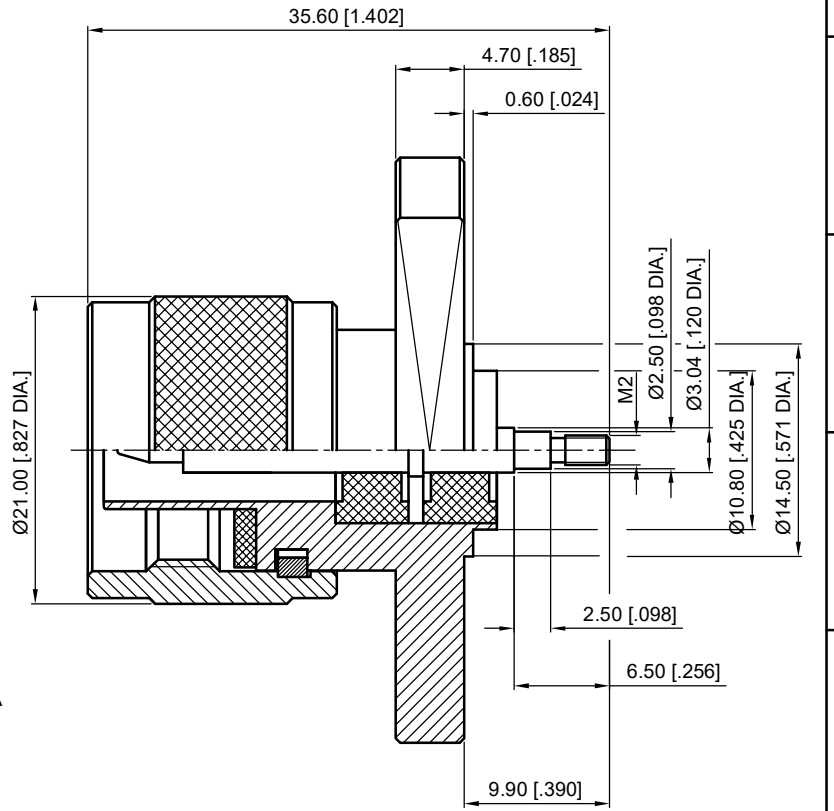
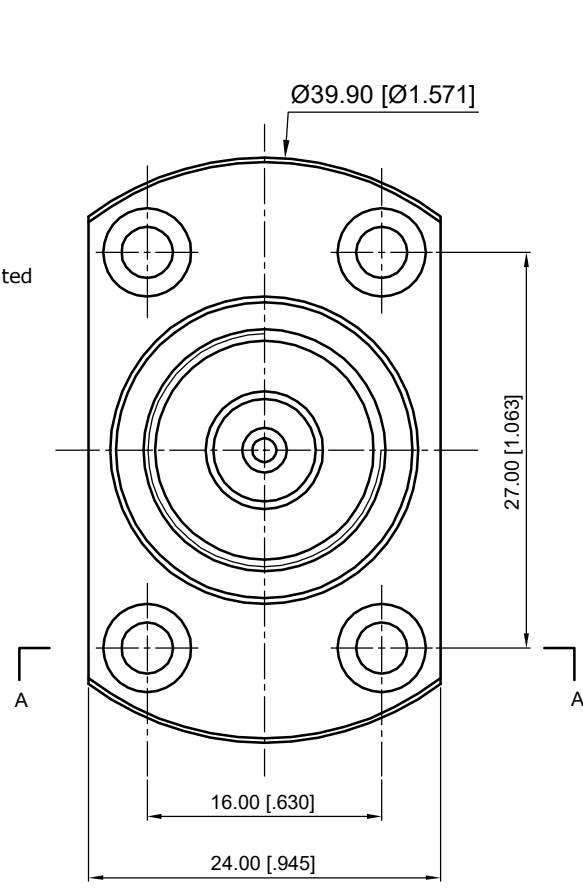
Electrical
 Impedance 50 Ω
 Frequency range 0~6 GHz
 Working voltage 1000 Vrms
 Insulation resistance ≥5000MΩ

Mechanical & Environmental
 Durability (matings) >500
 Temperature range -55 °C ~ +165 °C
 RoHS Compliant Yes

Material & Finish
 Body Brass, Albaloy (Cu-Sn- Zn)-plated
 Pin Contact Brass, Gold-plated
 Coupling Nut Brass, Nickel-plated
 Insulator PTFE
 Gasket Silicone Rubber

Interface Standards
 N IEC-60169

REVISIONS				
REV	DESCRIPTION OF REVISION	ECN No.	DATE	APPROVED
A	INITIAL RELEASE		07/10/2017	M. Dong



UNLESS OTHERWISE SPECIFIED, DIMENSIONS ARE IN MILLIMETERS (INCHES).
 UNLESS OTHERWISE SPECIFIED DIMENSIONAL TOLERANCES ARE:
 .XX ±0.13 [0.005"]
 .X ±0.20 [0.008"]
 X ±0.50 [0.019"]
 ANGULAR TOLERANCES ARE: ALL= ±1"
 DO NOT SCALE DRAWING
 PROJECTION:

DRAWN:	L. Ma	07/10/2017
CHECKED:	J. Zhu	07/10/2017
APPROVED:	M. Dong	07/10/2017

TITLE:
**N Straight Male Connector,
 4 Hole Flange**

CMPPTER[®]
 Cmppter Electronics Co., Ltd. www.cmppter.com

PART No.:
50-03-8F8-189

SIZE: A4	SCALE: 2.5:1	SHEET: 1/1	REV: A
-------------	-----------------	---------------	-----------

- NOTES:
 1. ALL SPECIFICATIONS ARE SUBJECT TO CHANGE WITHOUT NOTICE AT ANY TIME
 2. UNLESS OTHERWISE SPECIFIED ALL DIMENSIONS ARE NOMINAL.