

# TECHNICAL DATA

## Electrical

Impedance	50 Ω
Frequency range	0~6 GHz
Withstanding voltage	1000 V
Insulation resistance	≥5000MΩ

## Mechanical & Environmental

Durability (matings)	>500
Temperature range	-65 °C ~ +165 °C
RoHS Compliant	Yes

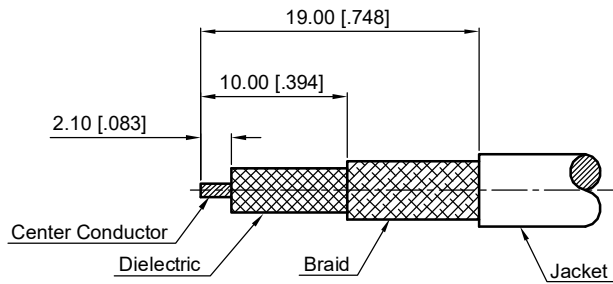
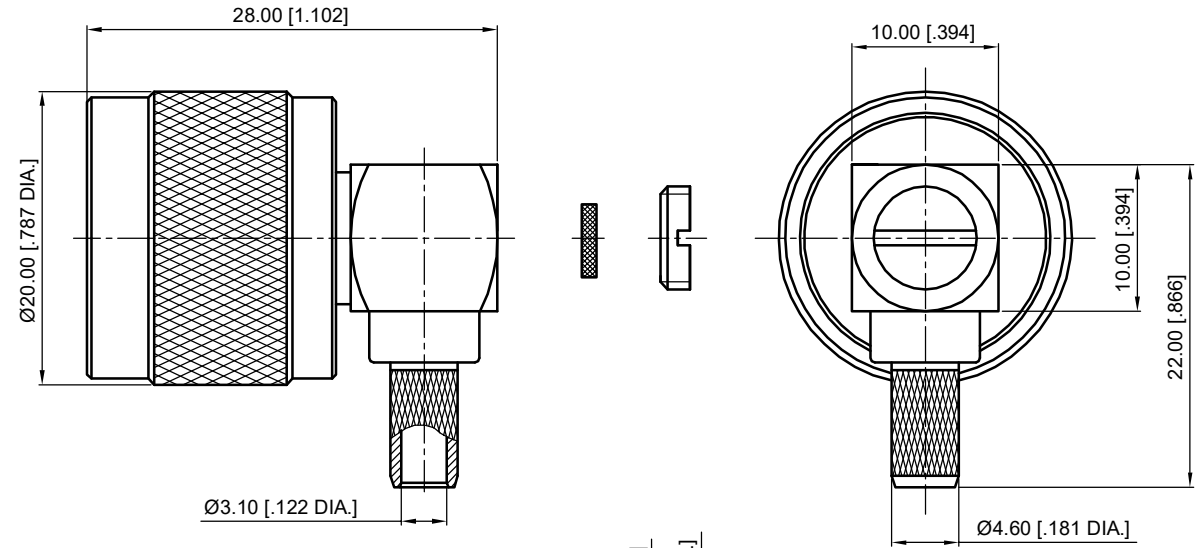
## Material & Finish

Body	Brass, Nickel-plated
Pin Contact	Brass, Gold-plated
Coupling Nut	Brass, Nickel-plated
Crimp Ferrule	Copper, Nickel-plated
Insulator	PTFE
Gasket	Silicone Rubber

## Interface Standards

N	IEC-60169
---	-----------

REVISIONS				
REV	DESCRIPTION OF REVISION	ECN No.	DATE	APPROVED
A	INITIAL RELEASE	—	04/18/2018	M. Dong



Recommend Cable Stripping Dimensions

NOTES:

1. ALL SPECIFICATIONS ARE SUBJECT TO CHANGE WITHOUT NOTICE AT ANY TIME
2. UNLESS OTHERWISE SPECIFIED ALL DIMENSIONS ARE NOMINAL.

UNLESS OTHERWISE SPECIFIED, DIMENSIONS ARE IN MILLIMETERS (INCHES). UNLESS OTHERWISE SPECIFIED DIMENSIONAL TOLERANCES ARE: .XX ±0.13 [0.005] .X ±0.20 [0.008] X ±0.50 [0.019]	
ANGULAR TOLERANCES ARE: ALL= ±1°	
DO NOT SCALE DRAWING	
PROJECTION:	

DRAWN:	L. Ma	04/18/2018
CHECKED:	J. Zhu	04/18/2018
APPROVED:	M. Dong	04/18/2018

TITLE:  
**N Right Angle Male Crimp for LMR200 Cable**

**CMP TER**<sup>®</sup>  
Cmpter Electronics Co., Ltd. [www.cmpter.com](http://www.cmpter.com)

PART No.:  
**50-13-1M17-204**

SIZE: A4	SCALE: 4:1	SHEET: 1/1	REV: A
----------	------------	------------	--------

1.CRIMP FERRULE  
HEX. CRIMP TOOL SIZE : 5.4 [0.213]

