

REV	DESCRIPTION OF REVISION	ECN No.	BY	DATE	APPROVED
A	INITIAL RELEASE	—	L. Ma	03/25/07	M. Dong
B	STRUCTURE CHANGED	—	L. Ma	12/15/10	M. Dong

## TECHNICAL DATA

### ■ Electrical data

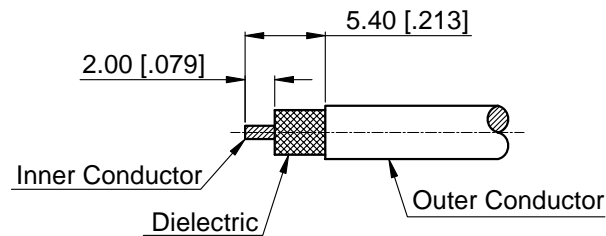
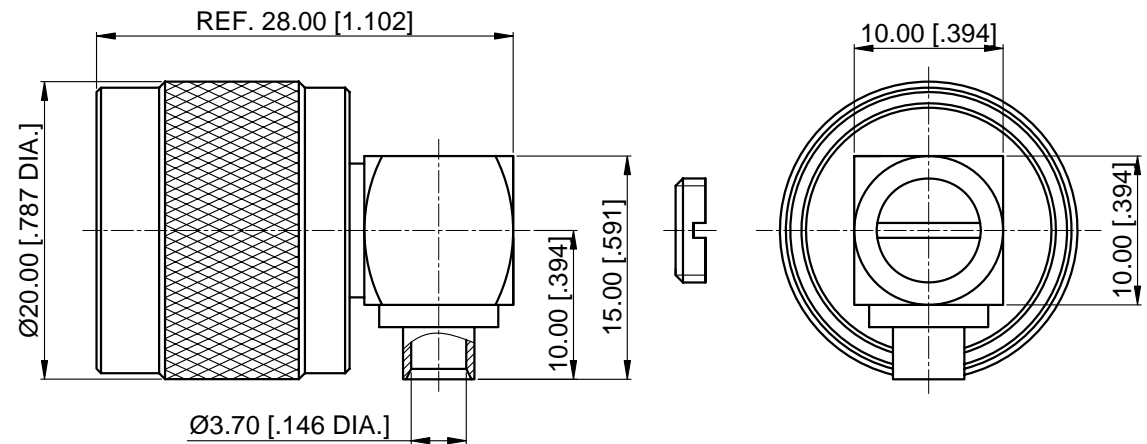
Impedance	50 Ω
Frequency range	0~6 GHz
Insulation resistance	≥5×10 <sup>3</sup> MΩ
Withstanding voltage	2500 V

### ■ Mechanical data

Temperature range	-65 °C ~ +165 °C
Durability (matings)	>500

### ■ Material data


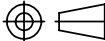
Bodies	Brass, Albaloy-plated
Pin Contact	Brass, Gold-plated
Coupling Nut	Brass, Nickel-plated
Insulator	PTFE
Gasket	Silicone Rubber



CABLE STRIPPING DIMENSION

#### NOTES:

- ALL SPECIFICATIONS ARE SUBJECT TO CHANGE WITHOUT NOTICE AT ANY TIME
- CUSTOMER OUTLINE DRAWING FOR REFERENCE ONLY

DRAWN: L. Ma 12/15/10	TITLE:	 <a href="http://www.cmppter.com">www.cmppter.com</a>
ENGINEER: J. Zhu 12/15/10	N Right Angle Male Solder for RG402/.141 Cable	
APPROVED: M. Dong 12/15/10		 DIMENSIONS IN MILLIMETERS (mm)
TOLERANCE UNLESS OTHERWISE SPECIFIED	PART No.: 50-13-2M06-016	

X	±0.50	[.019"]
.X	±0.20	[.008"]
.XX	±0.10	[.004"]
ANGLES	±1°	