

REVISIONS

REV	DESCRIPTION OF REVISION	ECN No.	DATE	APPROVED
A	INITIAL RELEASE		04/17/2015	M. Dong

TECHNICAL DATA

Electrical

Impedance 50 Ω  
 Frequency range 0~3 GHz  
 Insulation resistance  $\geq 5 \times 10^3$  MΩ  
 Withstanding voltage 1000 V

Mechanical & Environmental

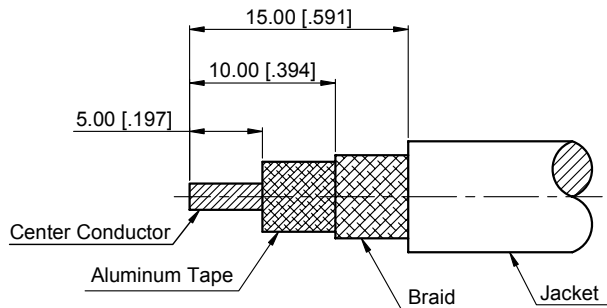
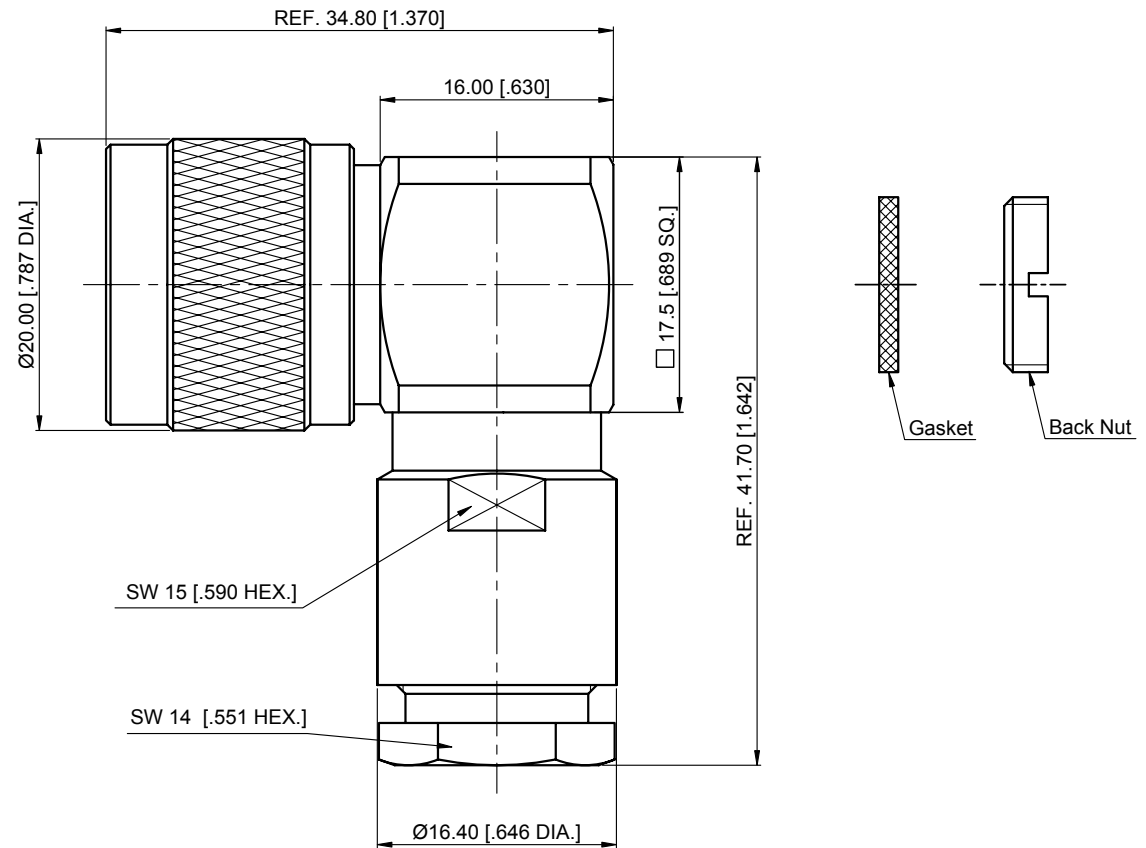
Durability (matings) >500  
 Temperature range -55 °C ~ +165 °C  
 RoHS Compliant Yes

Material & Finish

Body Brass, Nickel-plated  
 Pin Contact Brass, Gold-plated  
 Coupling Nut Brass, Nickel-plated  
 Fastening Nut Brass, Nickel-plated  
 Insulator PTFE  
 Gasket Silicone Rubber

Interface Standards

N IEC-60169



Cable Stripping Dimensions

NOTES:

- ALL SPECIFICATIONS ARE SUBJECT TO CHANGE WITHOUT NOTICE AT ANY TIME
- UNLESS OTHERWISE SPECIFIED ALL DIMENSIONS ARE NOMINAL.

UNLESS OTHERWISE SPECIFIED, DIMENSIONS ARE IN MILLIMETERS [INCHES].  
 UNLESS OTHERWISE SPECIFIED DIMENSIONAL TOLERANCES ARE:

.XX ±0.13 [.005"]  
 .X ±0.20 [.008"]  
 X ±0.50 [.019"]

ANGULAR TOLERANCES ARE: ALL±1°

DO NOT SCALE DRAWING

PROJECTION:

DRAWN:	L. Ma	04/17/2015
CHECKED:	J. Zhu	04/17/2015
APPROVED:	M. Dong	04/17/2015

TITLE:

N Right Angle Male Clamp  
 for LMR300 Cable



Cmptter Electronics Co., Ltd. [www.cmptter.com](http://www.cmptter.com)

PART No.:

50-13-4M20-141

SIZE:	SCALE:	SHEET:	REV:
A4	2:1	1/1	A