

REV	DESCRIPTION OF REVISION	ECN No.	BY	DATE	APPROVED
A	INITIAL RELEASE	—	L. Ma	07/14/07	M. Dong
B	DIMENSIONS CHANGED	—	L. Ma	04/21/11	M. Dong

TECHNICAL DATA

Electrical data

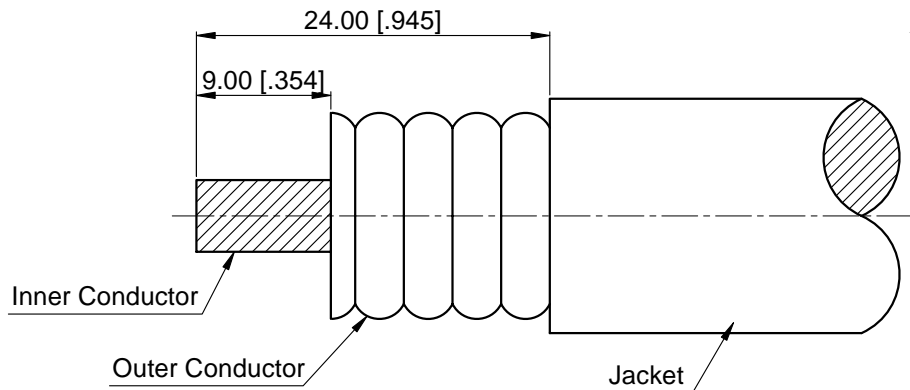
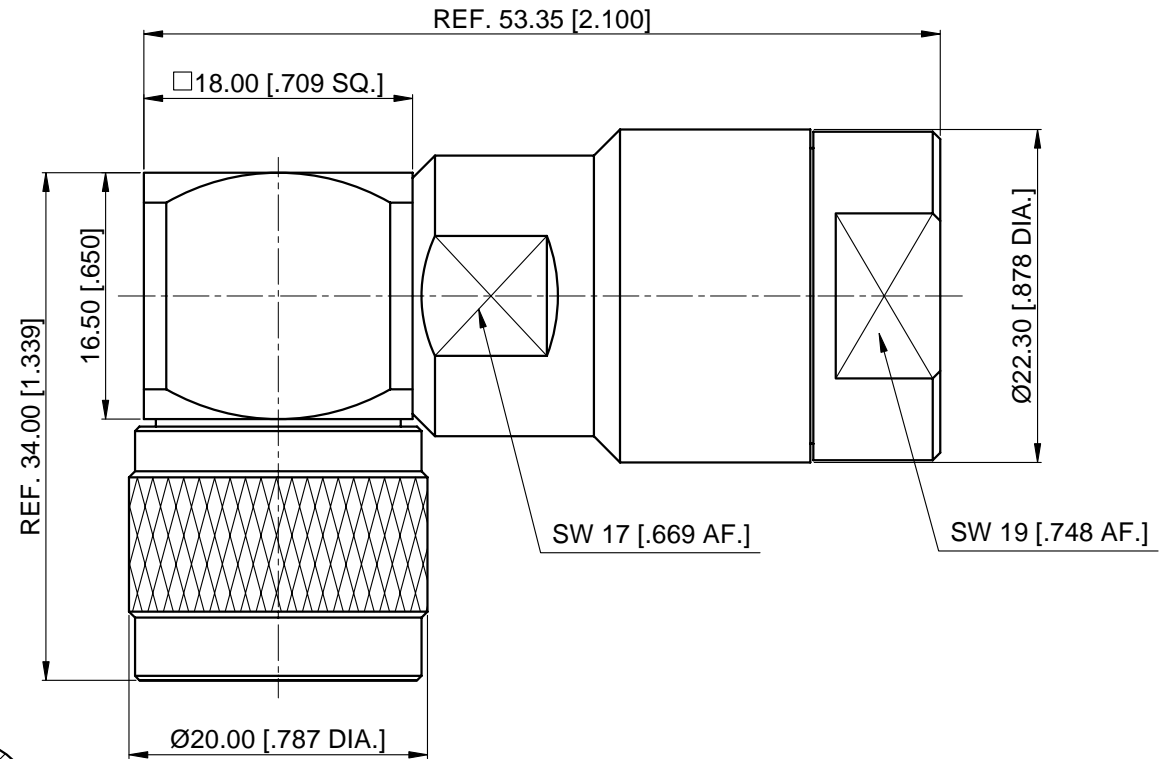
Impedance	50 Ω
Frequency range	0~3 GHz
Insulation resistance	$\geq 5 \times 10^3$ M Ω
Withstanding voltage	2500 V

Mechanical data

Temperature range	-65 °C ~ +165 °C
Durability (matings)	>500

Material data


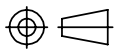
Bodies	Brass, Albaloy-plated
Pin Contact	Phosphor Bronze, Silver-plated
Coupling Nut	Brass, Nickel-plated
Insulator	PTFE
Gasket	Silicone Rubber



Recommend Cable Stripping Dimensions

NOTES:

- ALL SPECIFICATIONS ARE SUBJECT TO CHANGE WITHOUT NOTICE AT ANY TIME
- CUSTOMER OUTLINE DRAWING FOR REFERENCE ONLY

DRAWN: L. Ma 04/21/11	TITLE: RF Coaxial N Right Angle Male Clamp for 1/2" RF Cable	 www.cmppter.com			
ENGINEER: J. Zhu 04/21/11					
APPROVED: M. Dong 04/21/11		 DIMENSIONS IN MILLIMETERS (mm)			
TOLERANCE UNLESS OTHERWISE SPECIFIED	PART No.: 50-13-4M26-041	SIZE: A4	SCALE: 2:1	SHEET: 1/1	REV: B
X ±0.50 [0.019"] .X ±0.20 [0.008"] .XX ±0.10 [0.004"] ANGLES ±1°					