

# TECHNICAL DATA

## Electrical

Impedance	50 Ω
Frequency range	0~3 GHz
Withstanding voltage	2500 V
Insulation resistance	≥5x10 <sup>3</sup> MΩ

## Mechanical & Environmental

Durability (matings)	>500
Temperature range	-55 °C ~ +165 °C
RoHS Compliant	Yes

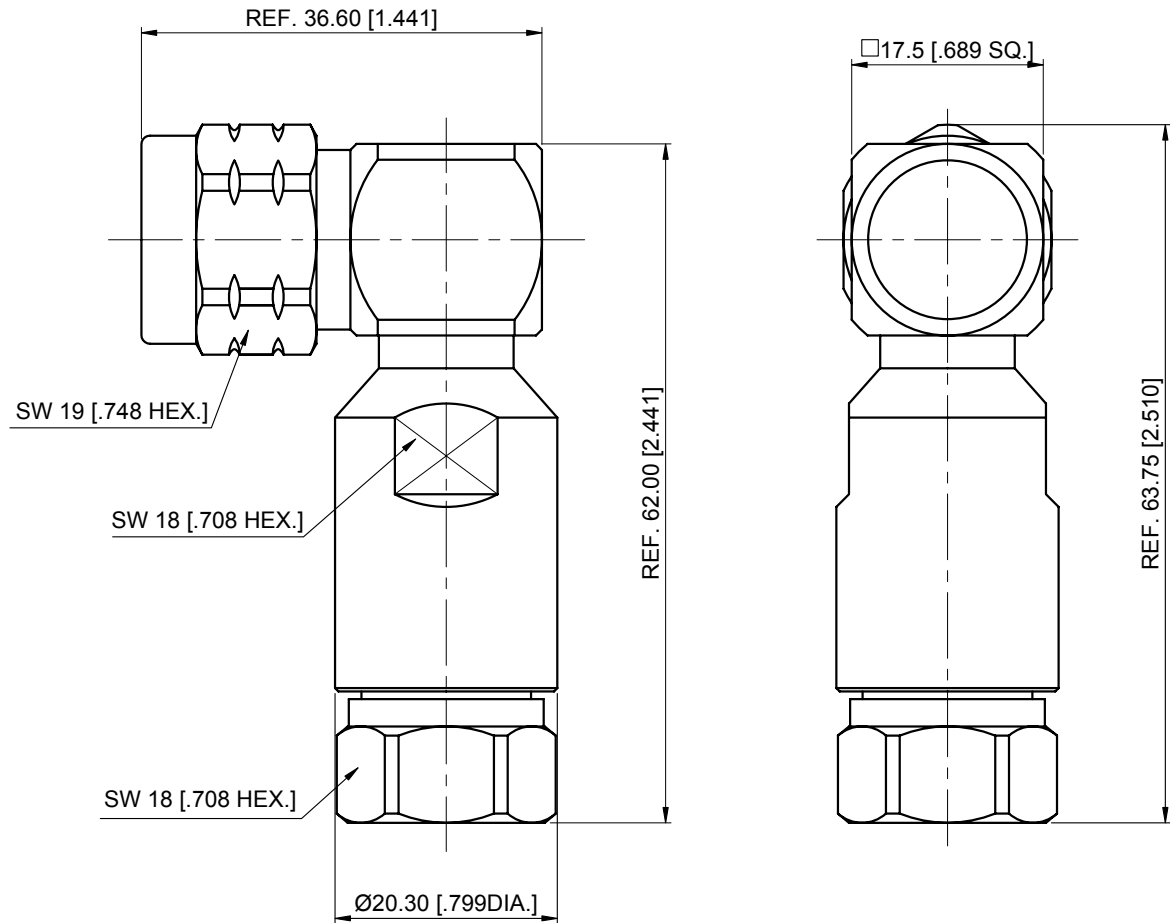
## Material & Finish

Body	Brass, Albaloy-plated
Pin Contact	Brass, Silver-plated
Nut	Brass, Nickel-plated
Gasket	Silicone Rubber
Insulator	PTFE

## Interface Standards

N	IEC 60169
---	-----------

REVISIONS				
REV	DESCRIPTION OF REVISION	ECN No.	DATE	APPROVED
A	INITIAL RELEASE	—	04/26/2007	M. Dong



- NOTES:
- ALL SPECIFICATIONS ARE SUBJECT TO CHANGE WITHOUT NOTICE AT ANY TIME
  - UNLESS OTHERWISE SPECIFIED ALL DIMENSIONS ARE NOMINAL.

UNLESS OTHERWISE SPECIFIED, DIMENSIONS ARE IN MILLIMETERS [INCHES].  
UNLESS OTHERWISE SPECIFIED DIMENSIONAL TOLERANCES ARE:  
.XX ±0.13 [.005"]  
.X ±0.20 [.008"]  
X ±0.50 [.019"]  
ANGULAR TOLERANCES ARE: ALL±1°

DO NOT SCALE DRAWING

PROJECTION:

DRAWN:	L. Ma	04/26/2007
CHECKED:	J. Zhu	04/26/2007
APPROVED:	M. Dong	04/26/2007

TITLE:  
**N Right Angle Male Clamp for 1/2" Super Flexible Cable**

**CMPPTER**<sup>®</sup>  
Cmptter Electronics Co., Ltd. [www.cmptter.com](http://www.cmptter.com)

PART No.:  
**50-13-4M29-021**

SIZE: A4	SCALE: 1.5:1	SHEET: 1/1	REV: A
-------------	-----------------	---------------	-----------