

REV	DESCRIPTION OF REVISION	ECN No.	BY	DATE	APPROVED
A	INITIAL RELEASE	—	L. Ma	02/23/09	M. Dong

TECHNICAL DATA

Electrical data

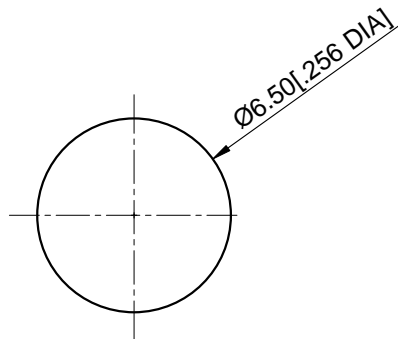
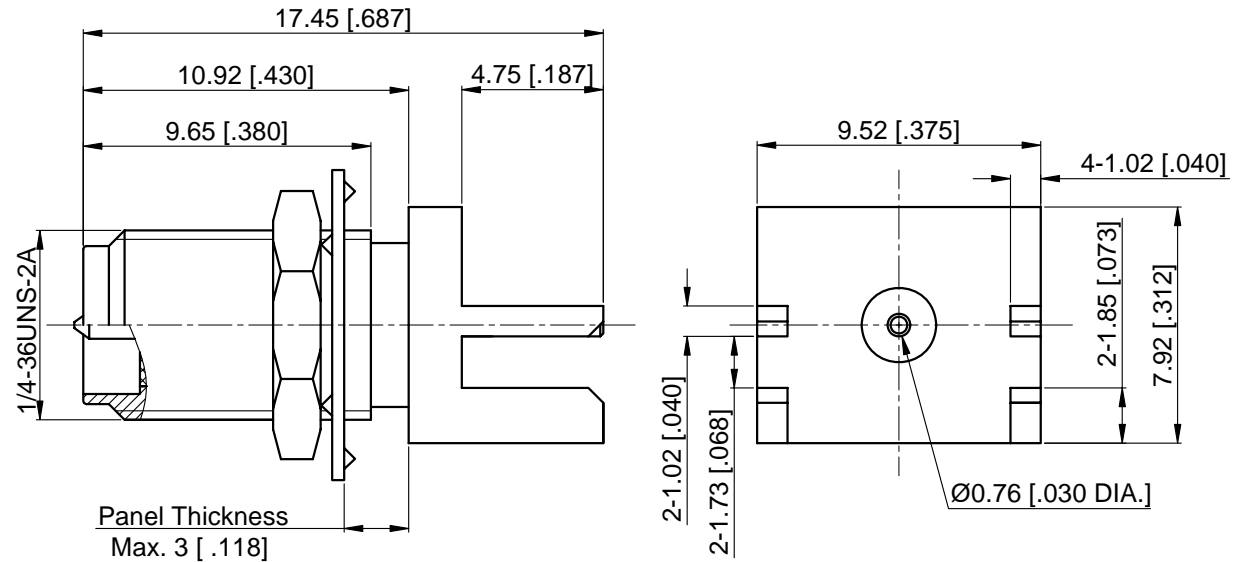
Impedance	50 Ω
Frequency range	0~6 GHz
Insulation resistance	≥5×10 ³ MΩ
Withstanding voltage	1000 V

Mechanical data

Temperature range	-65 °C ~ +165 °C
Durability (matings)	>500

Material data


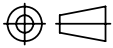
Body	Brass,Gold-plated
Pin Contact	Brass,Gold-plated
Insulator	PTFE



Recommended Mounting Hole

NOTES:

- ALL SPECIFICATIONS ARE SUBJECT TO CHANGE WITHOUT NOTICE AT ANY TIME
- CUSTOMER OUTLINE DRAWING FOR REFERENCE ONLY

DRAWN: L. Ma 02/23/09	TITLE:	 www.cmptter.com			
ENGINEER: J. Zhu 02/23/09	RP SMA Straight Jack for 1.57 [.062] Thickness PCB Board				
APPROVED: M. Dong 02/23/09		 DIMENSIONS IN MILLIMETERS (mm)			
TOLERANCE UNLESS OTHERWISE SPECIFIED	PART No.: 61-02-5L2-008				SIZE: A4
X ±0.50 [.019"]					
.X ±0.20 [.008"]					
.XX ±0.10 [.004"]					
ANGLES ±1°					